

woodturning lathe
t 124



Total Safety Machining.

HOUTBEWERKINGSMACHINES

AFZUIGINSTALLATIES

GEREEDSCHAPPEN



TEL. (0515) 43 15 70 - www.rando.nl - SNEEK

ONDERHOUD - REPARATIE - REVISIE

Distance between centers

Centers height

4 spindle speeds (at 50 Hz)

Three-phase motor

Find the complete technical specification at page 117

t 124

mm 1150

mm 200

rpm 570 / 1000 / 1850 / 2500

kW/Hz 1,5 (1,8) / 50 (60)



Structure
precision and safety



Optional Devices
versatile and complete

Woodturning lathe, for demanding DIY woodworkers and craftsmen, fast, cost-effective, easy-to-use, reliable.

woodturning lathe operating groups and optional devices

versatile and complete

Optional Devices.

Full range of devices to realize your creativeness.

precision and safety

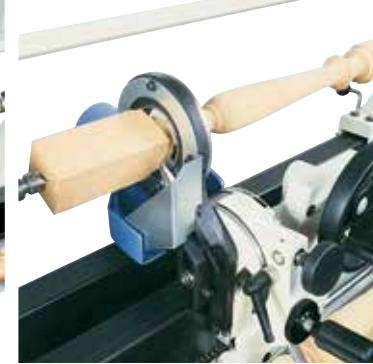
Structure.

Maximum reliability and top precision, with its strong base, and total safety for the operator, thanks to the transparent guard.



Copier.

Enables copying work at diameters greater or smaller than the template or pattern, feed by hand-wheel.



Mobile Steady Rest, with pre-cutting tool to guarantee perfect finishing.



Fixed Steady Rest, Reduces vibrations when turning long, thin components. The 'C' shape enables turning with hand tools.



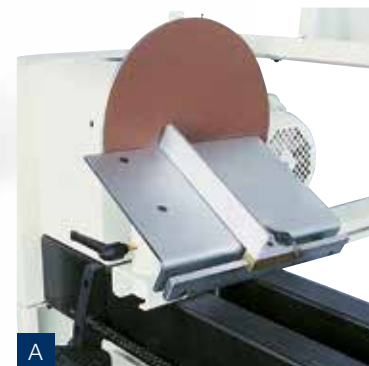
Face Plate 300 mm diameter, ideal for large bowls.



Cup or Screw Type Drive Benders: 40 mm diameter cup centre and 70 mm screw centre made from a single-piece of stainless steel. Necessary for turning small cups and bowls.



A) Sanding Unit, complete with adjustable angle work surface, guide and sanding disc.



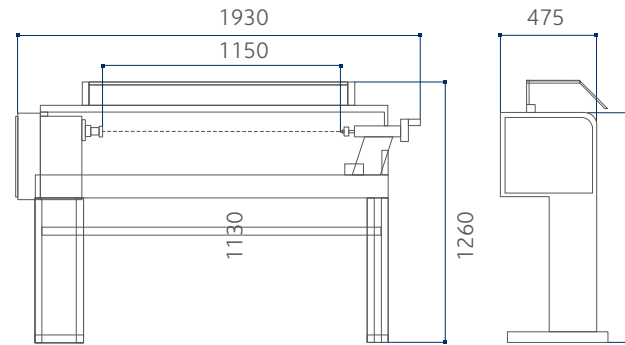
A



B

B) Four-jaw Chuck 125 mm diameter, for the rapid clamping of squared or circular components.

woodturning lathe dimensions and technical data



S Standard
O Option

HOUTBEWERKINGSMACHINES

AFZUIGINSTALLATIES

GEREEDSCHAPPEN



TEL. (0515) 43 15 70 - www.rando.nl - SNEEK

ONDERHOUD - REPARATIE - REVISIE

		t 124
Distance between centres	mm	1150
Centres height	mm	200
4 chuck speed (at 50 Hz)	rpm	570 / 1000 / 1850 / 2500
Tape drive with morse taper	n.	2
Ball bearing centre with morse taper	n.	2
Face plate diameter	mm	130
Machine equipped with copying device (optional)...		
Max. working length	mm	1120
Max. diameter	mm	200
...and equipped with mobile rest (option):		
Max. working length	mm	1070
Max. diameter	mm	80
Three-phase motor 1,5kW (2hp) 50 Hz - 1,8 kW (2,5 hp) 60 Hz		S
Single-phase motor 1,5kW (2hp) 50 Hz		O