



HOUTBEWERKINGSMACHINES

AFZUIGINSTALLATIES

GEREEDSCHAPPEN



TEL. (0515) 43 15 70 - [www.rando.nl](http://www.rando.nl) - SNEEK

ONDERHOUD - REPARATIE - REVISIE



HOUTBEWERKINGSMACHINES

AFZUIGINSTALLATIES

GEREEDSCHAPPEN



TEL. (0515) 43 15 70 - [www.rando.nl](http://www.rando.nl) - SNEEK

ONDERHOUD - REPARATIE - REVISIE



HOUTBEWERKINGSMACHINES  
AFZUIGINSTALLATIES  
GEREEDSCHAPPEN



**RANDO**  
TECHNIC

TEL. (0515) 43 15 70 - [www.rando.nl](http://www.rando.nl) - SNEEK

ONDERHOUD - REPARATIE - REVISIE



## SCM certified quality

All the formula machines line are certified and guaranteed by SCM, reflecting their level of quality and reliability.

HOUTBEWERKINGSMACHINES	
AFZUIGINSTALLATIES	
GEREEDSCHAPPEN	
TEL. (0515) 43 15 70 - <a href="http://www.rando.nl">www.rando.nl</a> - SNEEK	
ONDERHOUD - REPARATIE - REVISIE	

# formula line

The machinery range that completes and satisfies all the needs of any workshop, designed and fully guaranteed by SCM.

# classical machines

6/25



/ circular saw / 8



/ spindle moulders / 22



/ band saws / 28



/ radial saws / 30

# complementary machines

26/49



/ cut-off saw / 32



/ router / 34



/ vacuum dust extractors / 42



/ planers / 14



/ horizontal mortisers / 36



/ sanders / 38



/ dust extractors with bag / 46



/ feeders / 47



/ clamp / 48





# classical machines

reliability and efficiency.

circular saw  
**s 40**

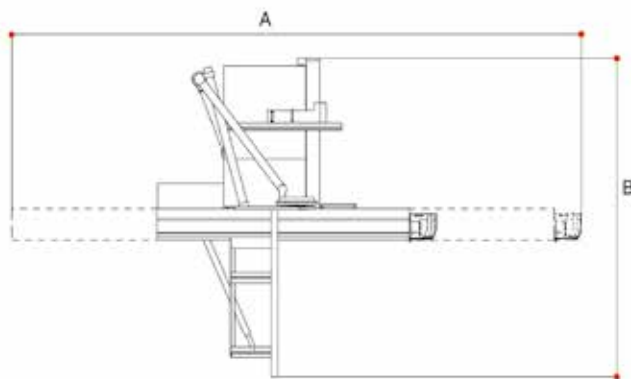
planers  
**f 2**  
**f 1**  
**sp 2**  
**sp 1**

spindle moulders  
**t 70f**  
**t 60f**

circular  
saw  
**formula s 40**

High quality construction  
to perform professional work.



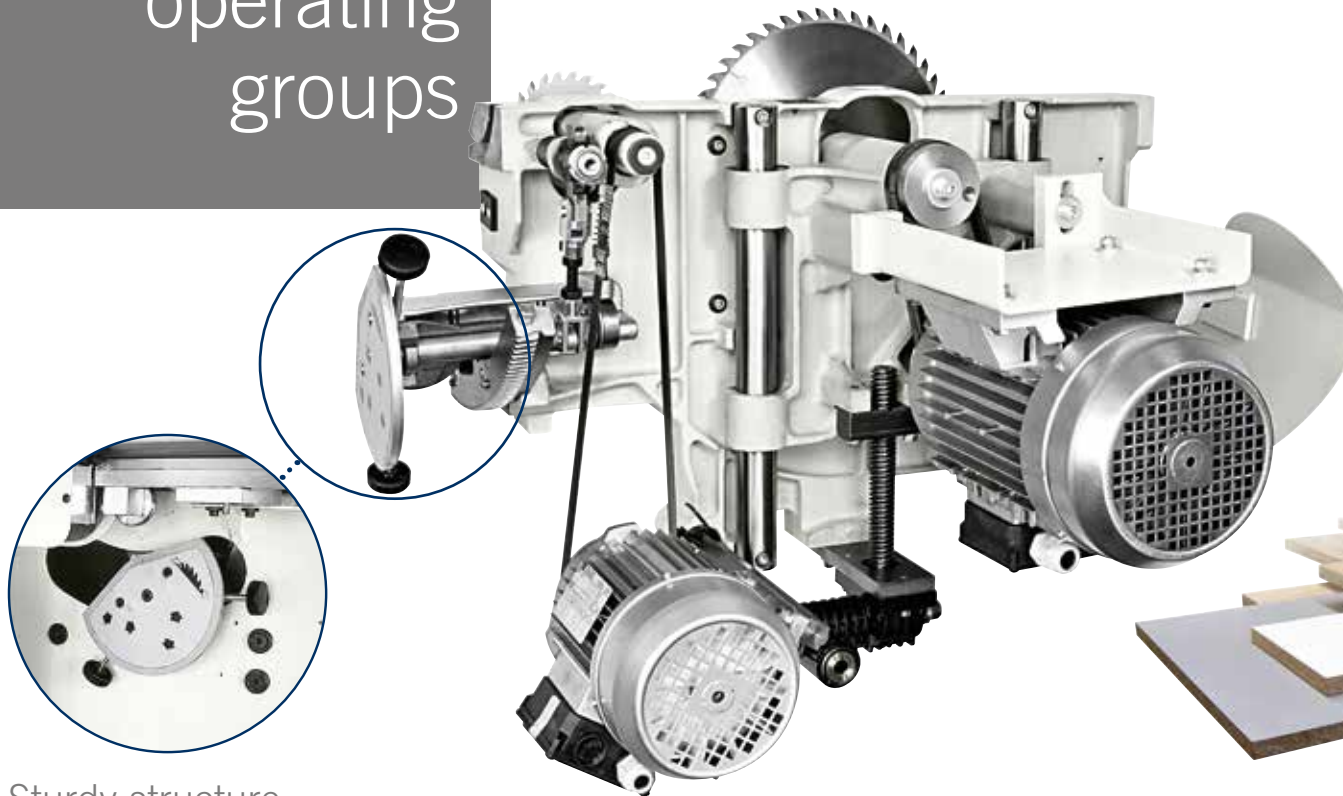


A with carriage 3200 mm	mm	7250
B with cutting width with 1000 mm rip fence	mm	4780
B with cutting width with 1270 mm rip fence	mm	5050
B with cutting width with 1500 mm rip fence	mm	5280

S Standard  
O Option

formula		s 40
Squaring capacity	mm	3200
Stop on fence for squaring cuts extendable up to	mm	3200
Standard cutting width with rip fence	mm	1270
Main saw blade diameter (hole)	mm	400 (30)
Scoring blade diameter (hole)	mm	120 (20)
Max. saw blade projection from the table at 90°	mm	140
Max. saw blade projection from the table at 45°	mm	99
Saw blade speed	rpm	3700
Scoring blade speed	rpm	8500
Saw blade tilting	degrees	90 ÷ 45
Exhaust outlet diameter at base	mm	120
Exhaust outlet diameter on blade protection	mm	80 (60 NON ce)
Motor power with direct start (standard)	kW	7
Motor power with automatic star-delta start (option)	kW	9
Standard features and main optional devices		
Automatic motor brake on main blade (only CE version)		S
Device for angular cuts		O
Device for angular cuts with self-adjustment of the stop position		O
Device for rip cuts		O
Overhead saw blade protection (optional device for NON CE version)		S
Cutting width on rip fence 1000 mm or 1500 mm		O
“M” version complete with 3 blade speed and powered unit lifting and tilting		O
“M Plus” version complete with 3 blade speed, automatic rip fence, mobile control panel and 9 kW motor		O

# circular saw operating groups



Smooth movement and sturdy support surface

### Saw carriage

The circular saws carriage of the **formula line** utilizes a sliding system on aluminum stiff profiles with hardened steel guides using an exclusive method of mechanical fixing. This allows a straight line precision of +/- 0,05 mm along the entire carriage length. The **best precision** is guaranteed **overtime** even with intensive use and **without maintenance**.

### Sturdy structure

#### Saw unit

A large structure, an hardened cast iron work table and an innovative operating unit prevent vibration to ensure excellent finishing. The height adjustment on round guides ensures smooth movements even after years of use. The controls on the machine front and therefore in an easily accessible position by the operator guarantee a **further saving of time in the preparation process**.

### Simple and effective

#### Scoring unit adjustment

The scoring unit is moved vertically and horizontally through a lever system which ensures the complete **absence of play**. This system also enables **quick positioning** thus limiting the need of sawing tests.



### Optimal support

#### Large squaring frame

It enables the squaring of panels up to 3200 x 3200 mm. It is fitted with a guide complete with two reversible stops and an idle roller to facilitate the loading of large panels. The guide also allows angular cutting up to 45°.

circular  
saw  
optional  
devices



**Angular cutting device**  
equipped with:  
- telescopic fence with two  
reversible stops  
- preset for angle rapid selection



**Device for angular cutting with automatic self-adjustment of the stop position with respect to the blade.**  
Each time the cutting angle is adjusted so that the distance between the stop and the blade remains constant. This enables rapid set-up and reduces test cutting.

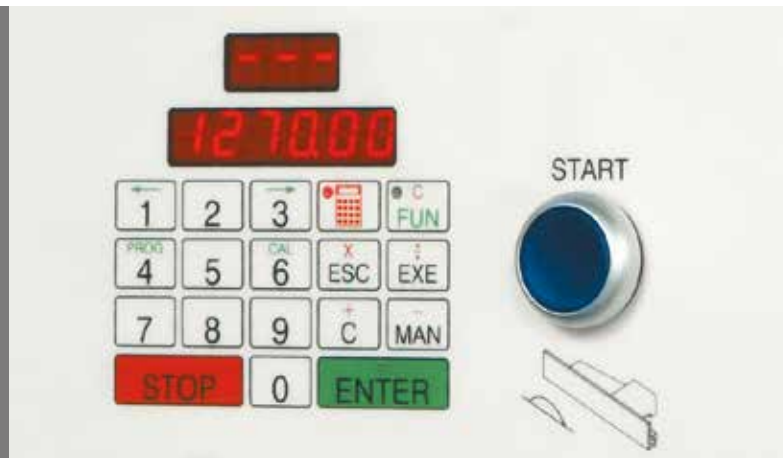


**Rip cutting device**  
Particularly useful for trim cuts on long work pieces.

circular  
saw  
optional  
devices



**Electronic readout for rip fence position**  
Reading system on magnetic band and possibility of relative and micrometric adjustments.



**Powered rip fence with electronic positioning**  
Easy and precise positioning from numeric keyboard and by pushing a button, the fence rapidly reach the requested position which is visualized on the electronic display.



**Three saw blade rotating speeds**  
The speed change can be made easily from the opening on the work table.  
*"M" and "M Plus" version*



**Overhead blade protection**  
Fitted in a tilted position it increases the useful cutting width to the rip fence and guarantees the maximum flexibility.



# surface planers

## formula f 2

## formula f 1

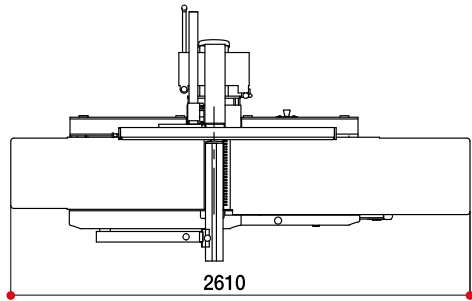
Perfect surface, practical and ergonomic  
Both models feature long, cast-iron work  
tables and a large anodised aluminum  
fence. An optimum **high-quality finish**  
is guaranteed even on large size work  
pieces.



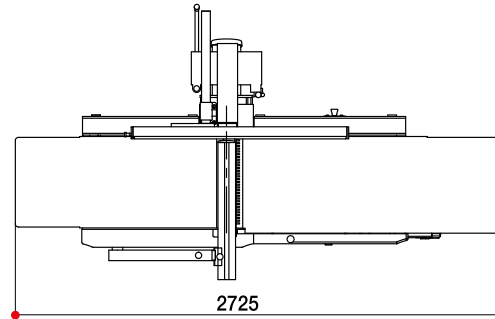
formula f 2  
(no CE version)



formula f 1



formula f 2



**S** Standard  
**O** Option

formula		f 1	f 2	f 2 (non CE)
Working width	mm	410	520	530
Maximum removal	mm	8	8	8
Total length of work tables	mm	2610	2720	2900
Dimensions of the surfacing fence	mm	1200x190	1200x190	1500x155
Exhaust outlet diameter	mm	120	160	120
Motor power with direct start	kW	5	5	5,5
Motor power with star-delta start (option)	kW	-	7	-
<b>Standard features and main optional devices</b>				
Cutterblock with 4 knives		S	S	S
“Tersa” cutterblock with 4 throwaway knives		O	O	-
Additional overturning fence		O	O	-
“Xylent” spiralknife cutterblock		O	O	-
Maintenance case for “Xylent” spiralknife		O	O	-
Automatic star-delta start		O	O	-

# thickening planers

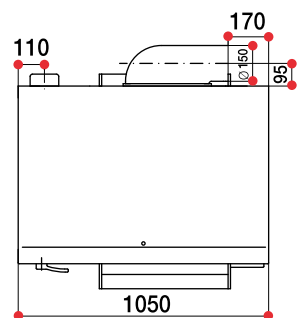
**formula sp 1**  
**formula sp 2**

Sturdiness but also easy-to-use and precise, stylish with practical design, a wide range of applications.

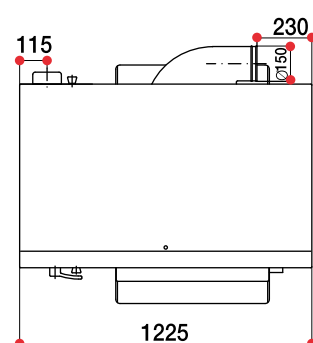


formula sp 1  
(no ce version)

### formula sp 1



### formula sp 2



**S** Standard  
**O** Option

formula		sp 1	sp 1 (non CE)	sp 2
Working width	mm	520	530	630
Maximum removal	mm	8	8	8
Work table length	mm	1000	950	1000
Work table height	mm	250	300	300
Feed speed	m/min	5/8/12/18	8/16	5/8/12/18
Exhaust outlet diameter	mm	150	160	150
Motor power with manual star-delta start	kW	7	5,5	7
<b>Standard features and main optional devices</b>				
Outfeed rubber-coated steel roller		S	-	S
3rd top feed roller, rubber-coated & power driven		O	-	O
Work table with 2 idle rollers		O	S	O
1st powered sectioned steel feed roller		O	-	O
Cutterblock with 4 knives		S	S	S
“Tersa” cutterblock with 4 throwaway knives		O	-	O
Electric work table lifting		S	-	S
“Xylent” spiralknife cutterblock		O	-	O
Maintenance case for “Xylent” spiralknife		O	-	O
Motor power with automatic star-delta start 9 kW		O	-	O
Automatic star-delta start		O	-	O

# planers operating groups

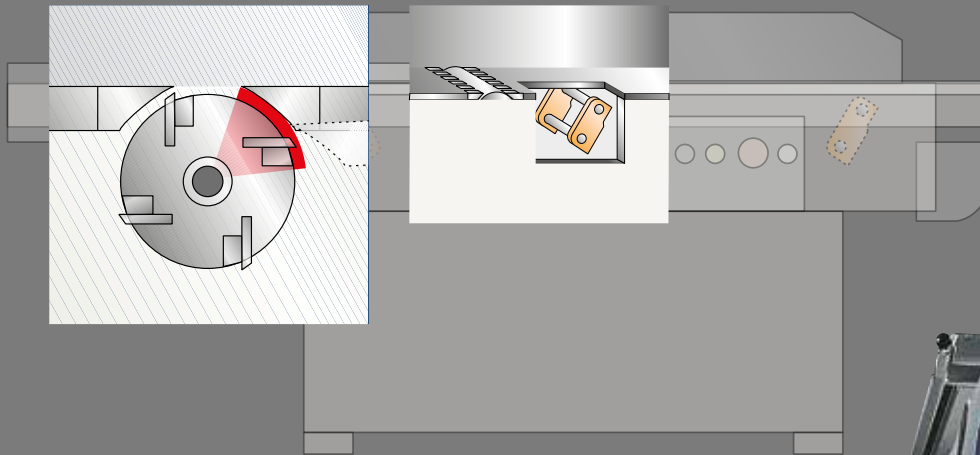
formula series thicknessers are renowned for their strength.

The operating unit with a four-knife cutter block guarantees a high-quality finish. An infeed roller with helical grooving and a rubber coated outfeed roller ensure efficient and smooth work piece feed.



## Surfacing fence

The fence is mounted on a precision mechanism enabling accurate angle adjustment from 90° to 45°.



## High quality finish

**Work tables made from ribbed cast-iron**  
The ribbed work tables structure with the feeding by means of a parallelogram mechanism on connecting rods always gives the same distance between the cutterblock and the table. This enables a quick and easy adjustment of the stock removal rates. The strong cast-iron structure of the cutter block with 4 knives grants optimal finish and absence of vibration.

*formula f 1, formula f 2*



## Sturdy structure with precision

### Work table movement

The ground, cast-iron work table is mounted on four recirculating ball screws simultaneously driven by a chain guaranteeing **the best working stability**. The machines in CE version are equipped with electric adjustment as standard feature; a solution offering **ease-of-use, precise and rapid set-up**. The non CE version foresees the work table lifting by means of handwheel.

*formula sp 1, formula sp 2.*



## Ease-of-use

### Controls

All the controls are in an ergonomic position on the front of the machine such as the feed speed selector, the electric work height adjustment and a mechanical digital readout of working height.

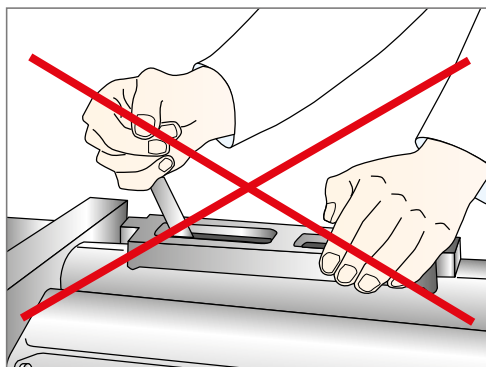
*formula sp 1, formula sp 2*

# planers optional devices

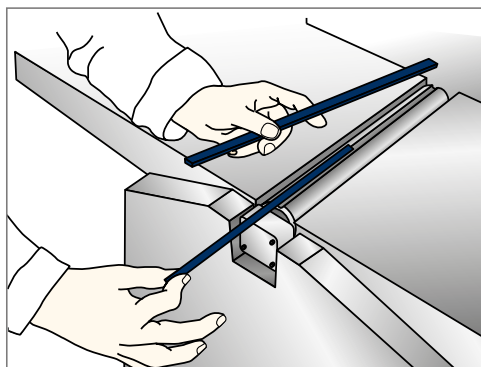


Simple and rapid  
“Tersa” cutter block with throwaway  
knives

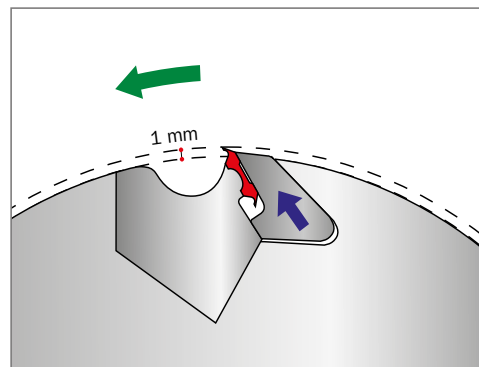
Automatic knives clamping by means of the centrifugal force ensures **safe and precise machining**. The system, without fixing screws makes knives substitution extremely fast.



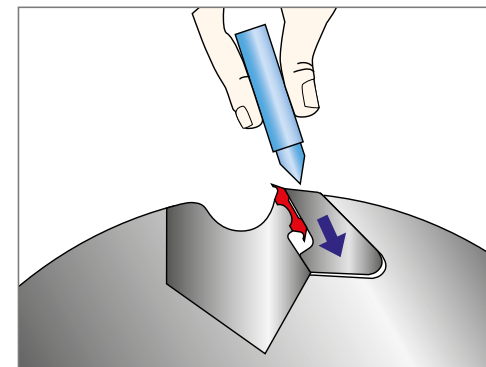
The specific knives fixing system to the cutterblock eliminates the setting up times.



Easy cutter block knives introduction.



Knives self-locking at the machine starting thanks to the centrifugal force. The automatic projection of all knives is perfectly adjusted.



Quick knives substitution by gibs unlocking.

### “Xylent” spiralknife cutter block

The 3 spiralknives give an **exceptional finish**. **Reduced noise** during machining provides a more comfortable working environment. It also improves the dust extraction due to the production of very small chips. Each cutter has 4 tips which can be rotated into the cutting position when worn. Therefore increasing the production life of the cutter block before knives require replacement.



The **thickening work table** can be equipped with two rollers to **optimise work piece feed and throughput**.  
*formula sp 1, formula sp 2*



### Maintenance case for “Xylent” spiralknife

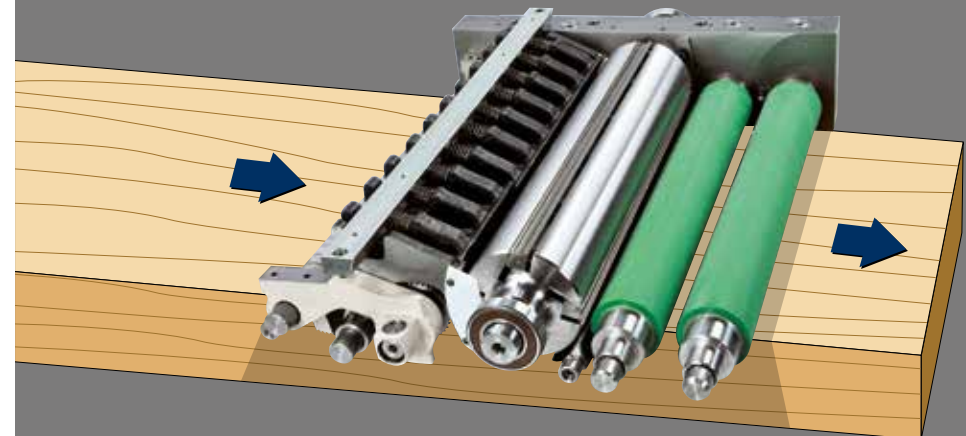
Complete with:

- 1 cleaning/degreasing liquid bottle for the resins cleaning
- 1 set dynamometric key
- 2 bit Torx
- 10 inserts
- 5 screws
- 1 brass bristle brush to clean the spindle with mounted in inserts
- 1 steel bristle brush to clean the inserts housings

### Third feed roller

This is a powered, steel or rubber-coated roller designed to ensure perfect workpiece feed with any type of wood.

*formula sp 1, formula sp 2*



# spindle moulders

## formula t 70f

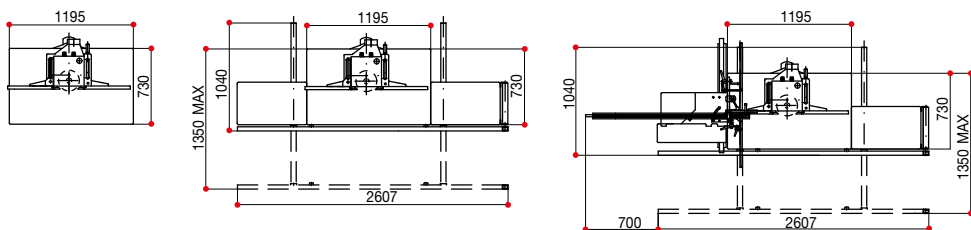
## formula t 60f

High performance and very high reliability with precise and flexible operations and flexibility.  
Rich equipment, for example the dedicated versions for moulding and tenoning.

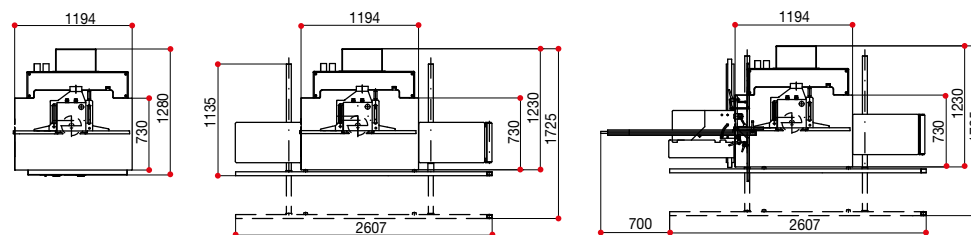




## formula t 70f



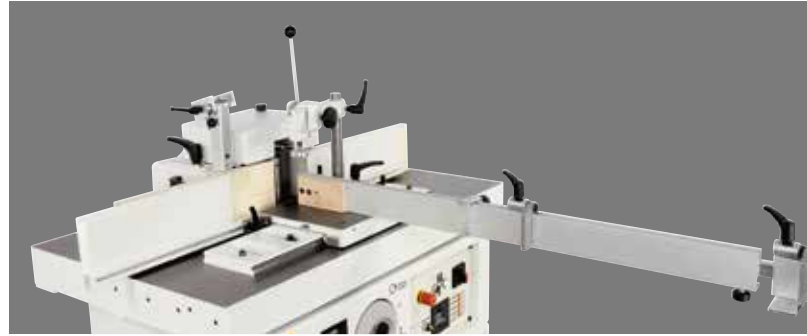
## formula t 60f



**S** Standard  
**O** Option

formula		t 70f	t 60f
Work table dimensions	mm	1200x730	1200x730
Spindle height	mm	180	170
Max. tool diameter when profiling	mm	250	250
Max. tool diameter when tenoning	mm	350	350
Max. tool diameter when shaping	mm	160	160
Spindle stroke	mm	90	90
Spindle rotating speed	rpm	3000/4500/6000/7000/10000	3000/4500/6000/8000/10000
Max. dimension of returning tool under table at 90°	mm	320x85	320x85
Exhaust outlet diameter on fence	mm	120	120
Exhaust outlet diameter behind the base	mm	120	120
Motor power with direct start	kW	-	5
Motor power with manual star-delta start (automatic start for USA/Canada version)	kW	7	7 (option)
<b>Main options</b>			
Carriage on the table for small tenoning operations		0	0
'LL' version for profiling operations		0	0
'T' version for tenoning operations (lateral carriage)		0	0
'TL' version for tenoning and profiling operations		0	0
'Fast' sectional work table		0	-
Spindle fence with handwheel movement		0	0
Anodised aluminum spindle fences		0	0
Interchangeable spindle		0	0
Spindle reverse rotation		0	0
9 kW motor power with manual star-delta start (automatic for USA/Canada version)		0	-

# spindle moulders versions for tenoning and moulding



Simple working  
**Carriage on work table for small tenoning jobs**  
 Ideal for tenoning of small work pieces for versions without sliding carriage. Mitre cuts with angles of a  $\pm 60^\circ$  on the work table are possible. Easy fitting and removal due to the fixing system on the work table.



Ideal for long work pieces

### LL version

The "LL" version is available with two side table extensions and an extractable front support table, for increased **safety and more precise machining of long and heavy profiles**. The cast-iron tables have a **ground surface to guarantee the maximum flatness**.



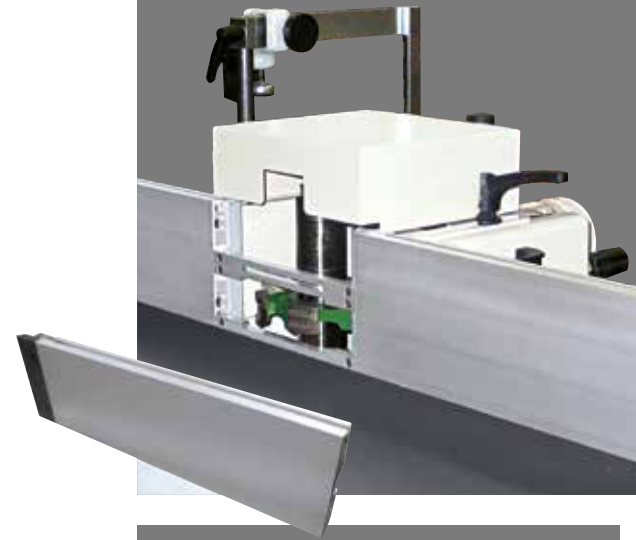
t 60f "TL"  
 in CE version  
 (machine with options)

Precision and stability in machining

### T and TL versions

The "T" or "TL" versions meet the special requirements of door and window machining. The table extension for large work pieces ("TL" version) provides a larger support surface. For precision tenoning, the machine has a sliding table which runs easily on axial bearings on a hardened, ground bar. The table has a large support surface and it is complete with a  $\pm 45^\circ$  tilting fence and incorporates a cam lock clamping device. The tenoning version has special safety devices, such as arm guards and a dedicated hood which allows the use of tools with a diameter of up to 350 mm.

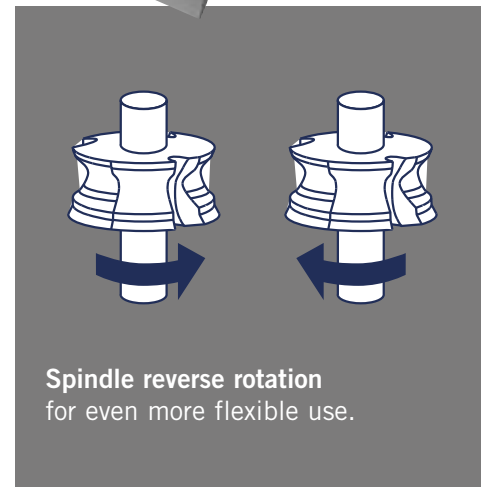
# spindle moulders optional devices



Anodised aluminium guides with "T"-shaped upper groove for insertion of stops during interrupted machining. It is complete with connecting bars for a maximum supporting surface area close to the tool.

## Very quick and simple Set-up Spindle fence with movement by handwheel

The entire fence has continuous linear adjustment by means of a single handwheel. This handwheel provides adjustment to the infeed and outfeed fence independently. Movements are displayed by mechanical digital readouts. The side handles make it easy to remove the guide from the work table.



Spindle reverse rotation  
for even more flexible use.



Interchangeable spindle with MK4 fitting on t 60f and MK5 on t 70f for using tools with different hole diameters thanks to the possibility of rapid changing of the spindle.



## The best support for the work piece

### "Fast" sectional table

It substitutes rings and allows **maximum support for the work piece being machined**. The table can even be adjusted after the tools have been fitted. Applying a table segment behind the spindle used for machining it guarantees **very efficient extraction**.  
*For formula t 70f only*





# complementary machines

All that you need to realize your projects.

band saws

**s 900p**

**s 800p**

**s 700p**

**s 600p**

**s 500p**

**s 400p**

radial saws

**s 900p**

**s 750p**

**s 650p**

cut-off saw

**cut 350**

sanders

**u 15**

**u 150**

**dg 60**

router

**router**

horizontal mortisers

**as 20**

**as 16**

vacuum dust

extractors

**vf range**

dust extractors with bag

**eco range**

clamp

**clamp 2500**

feeders

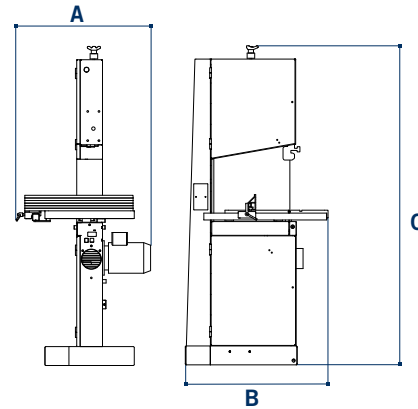
**feed 48**

**feed 38**

# band saws

Professional band saws, sturdy and extremely precise, for woodworking shops and craftsmen.

- formula s 400p**
- formula s 500p**
- formula s 600p**
- formula s 700p**
- formula s 800p**
- formula s 900p**



	s 400p	s 500p	s 600p	s 700p	s 800p
A mm	610	700	760	880	945
B mm	830	940	1165	1415	1620
C mm	1915	2060	2075	2300	2495



formula		s 900p	s 800p	s 700p	s 600p	s 500p	s 400p
Work table dimensions	mm	800 x 1170	800 x 1170	710 x 1030	580 x 810	500 x 700	450 x 600
Cast-iron saw wheels diameter	mm	900	800	700	600	500	400
Max. cutting height	mm	570	520	460	370	500	400
Max. cutting width	mm	880	780	680	580	480	380
Work table tilting (CE)	mm	0° ÷ 45° (20°)	0° ÷ 45° (20°)	0° ÷ 45° (20°)	0° ÷ 45° (20°)	0° ÷ 45° (20°)	0° ÷ 45° (20°)
Min./max. blade length	mm	6100/6300	5540/5670	5040/5180	4480/4580	4296/4376	3835/3910
Min./max. blade dimensions	mm	10x0,8 / 50x0,8	10x0,7 / 45x0,7	10x0,6 / 40x0,6	10x0,6 / 35 x0,6	10 x 0,5/30 x 0,5	10 x 0,5/30 x 0,5
Three-phase motor power starting from	kW/Hz	5,5 (6,6) / 50 (60)	4 (4,8) / 50 (60)	3 (3,6) / 50 (60)	2,2 (2,7) / 50 (60)	2,2 (2,7) / 50 (60)	1,5 (1,8) / 50 (60)
Exhaust outlet diameter	l/mm(bar)	120	120	100	100	100	100
Air consumption	l/mm(bar)	0,027 (6)	0,027 (6)	-	-	-	-

band  
saws  
operating  
groups



Perfect results

**Blade guide.**

A perfect cut result is assured by the top and bottom high precision blade guides. Practical machines suitable also to perform straight and tilted cuts on wood, plastic and aluminum.



Safety first

**Protections.**

Total safety machining with telescopic protections with rackwork to the blade.



Solidity and sturdiness

**Cast iron saw wheels.**

Very thick, cast iron wheels, as well as the worktable, running on sealed for life ball bearings.

radial saws  
**formula sr 650**  
**formula sr 750**  
**formula sr 900**



formula		sr 900	sr 750	sr 650
Blade diameter	mm	400	350 ÷ 400	350 ÷ 400
Blade tilting		-45° ÷ +45°	-45° ÷ +45°	-45° ÷ +45°
Max. cutting depth with 90°/45° blade (* 400 mm blade diameter available as an option)	mm	120/83	120/83*	120/83*
Max. cross-cut capacity	mm	900 x 20	750 x 20	640 x 20
Three-phase motors starting from	kW/Hz	4 (4) / 50 (60)	3 (3) / 50 (60)	3 (3) / 50 (60)



# radial saws operating groups



**Long-lasting functionality**  
**Column protection cover.**  
The mechanisms of which the machine is equipped, as the protection cover on the arm column support, protect the mechanical parts from dust, guaranteeing the best operation over time.



**Precision and smoothness**  
**Carriage with 8 bearings.**  
The 8 sliding bearings on the guides grant the best carriage smoothness and an optimal support for a perfect cutting result.



**Absolute safety**  
**Blade guard.**  
It guarantees the absolute operator's safety.



**Maximum cutting precision**  
**Cast iron arm with steel interchangeable guides.**  
The cast iron structure provides the arm the maximum solidity and rigidity for the maximum cutting precision. The interchangeable sliding ways allow the operator a simple and rapid replacing, in case of wear, without direct intervention on the arm.

# cut-off saw formula cut 350



formula		cut 350
Work table height	mm	800
Blade diameter	mm	350
Max. cross-cut capacity	mm	210 x 30
Max. working pressure	bar	8
Air consumption	l/ciclo	6
Exhaust outlet diameter	mm	80
Three-phase motor power	kW /Hz	3 (3) / 50 (60)

# cut-off saw operating groups



## The best cleaning

### **Exhaust outlet.**

The exhaust outlets positioned near the dust evacuation areas ensure a fully cleaning of the working environment.



## Absolute safety

### **Blade guard.**

The blade guard and the other operator's protection systems, as the bi-manual hand-safety control, allow to operate with absolute safety.

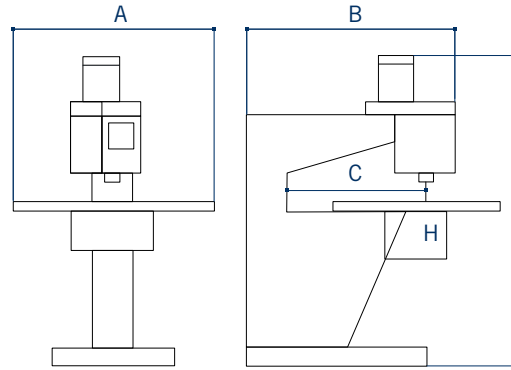


## Smart solutions

### **Stops and pneumatic positioning.**

The machine is equipped with intelligent solutions as the optional stops and the pneumatic positioning.

# vertical router router



	router 600	router 800	router 900
A	960	960	960
B	1150	1350	1450
C	600	800	900
H	1820	1820	1820



formula		router 900	router 800	router 600
Spindle head and frame distance	mm	900	800	600
Spindle speed ( at 50hz)	rpm	9000/18.000	9000/18.000	9000/18.000
Vertical spindle stroke	mm	80	80	80
Adjustable stops	no.	6	6	6
Vertical stroke of work table	mm	150	150	150
Max. table-spindle distance	mm	180	180	180
Work table dimensions (non CE)	mm	960 x 880	800 x 600	800 x 600
Work table dimensions (CE)	mm	960 x 880	960 x 880	960 x 880
Max. work table height from floor	mm	1050	1050	1050
Copying pin diameter	mm	8 - 10	8 - 10	8 - 10
Spindle morse taper	no.	2	2	2
Cutter-bit diameter	mm	10	10	10
Collets diameter	mm	6-8-9,5	6-8-9,5	6-8-9,5
Exhaust outlets diameter	mm	80	80	80
Air consumption	m <sup>3</sup> /h	362	362	362
Three-phase motor S1 (double power) 50 Hz	kW/Hz	2,2/3 [3/4]	2,2/3 [3/4]	1,5/2,2 [2/3]
Three-phase motor S1 (double power) 60 Hz	kW/Hz	2,7/3,6 (3,6/4,8)	2,7/3,6 (3,6/4,8)	1,8/2,7 (2,4/3,6)

# router operating groups

## Effortless and dynamic

### **Routing head.**

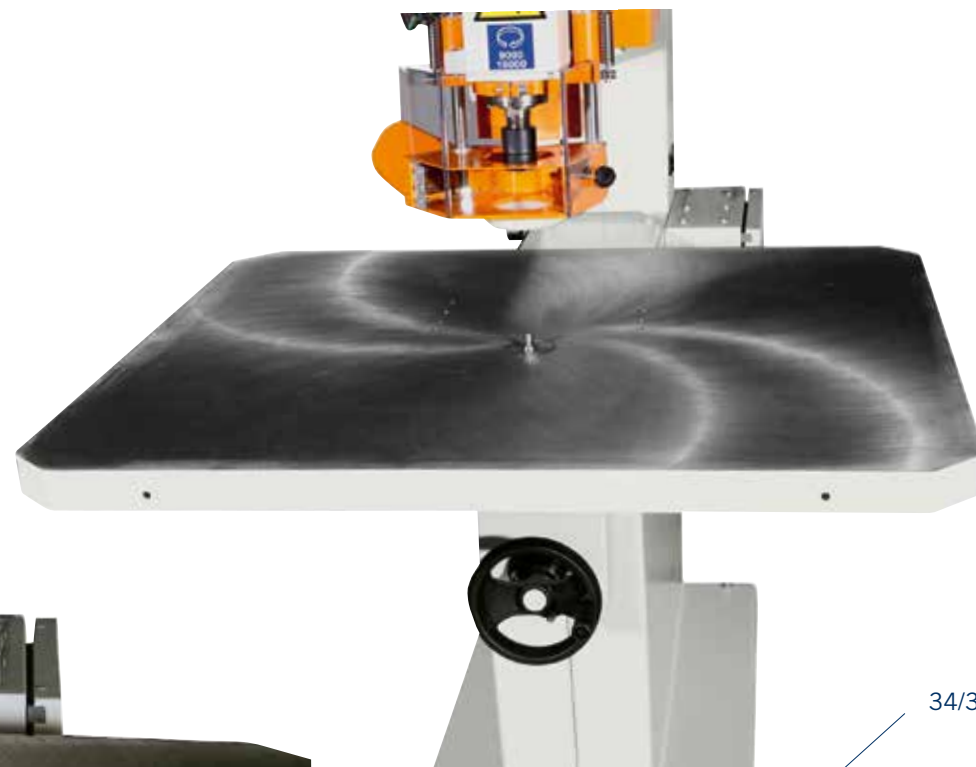
The routing head is equipped with 6 adjustable turret stops to facilitate the return to machining positions.



## Stability and comfort machining

### **Work table.**

Stable support even for large work pieces, thanks to the large cast iron worktable. Machine's set-up with great comfort with the frontal hand-wheel which allows easy vertical worktable adjustment.



# horizontal mortisers as 20 as 16



formula as 20  
*(only no CE version)*



formula		as 20	as 16
Worktable dimensions	mm	320 x 600	287 x 550
Longitudinal stroke	mm	245	200
Vertical stroke	mm	165	160
Transversal stroke	mm	205	125
Tool spindle diameter	mm	1 ÷ 20	1 ÷ 16
Spindle speed	rpm	2840	3000

horizontal  
mortisers  
operating  
groups



Solidity and manageability

**Cast iron structure and sliding on cylindrical bars.**

Solidity and easy to handle with the cast iron strong structure which easily moves on cylindrical sliding bars.



Ease-of-use

**Hand-wheel and levers.**

Easy movement of the boring head due to the practical control by hand-wheel and levers.

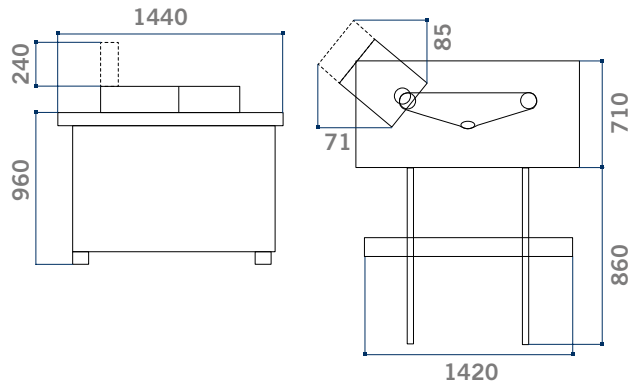
sanders  
**formula u 150**  
with  
oscillating  
vertical belt  
**formula dg 60**  
modular  
disc sander  
**formula u 15**  
for edges



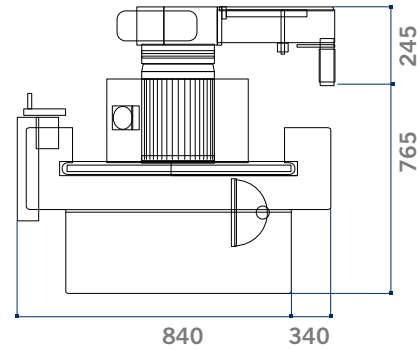
**formula u 15**  
*(only no ce version)*



## formula u 150



## formula dg 60



formula		u 150	dg 60	u 15
Work table dimensions	mm	1440 x 710	700 x 350	960 x 350
Belt speed	m/sec.	12 / 24	-	20
Vertical movement of the oscillating unit	mm	130	-	-
Disc speed	rpm	-	900	-
Disc diameter	m/sec	-	600	-
Abrasive belt length/height	mm	2170 / 150	-	3000/150
Work table tilting	-	0°÷45°	90°÷45°	-
Diameter of powered roller	mm	160	-	100
2 speed belt motor (S1)	kW/Hz	2,2 (2,7) / 50 (60)	-	-
Oscillating unit, vertical movement	mm	20	-	20
Dust extraction outlet diameter	mm	120	-	80, 100
Three-phase motor power (S1)	kW /Hz	2,2 (2,7) / 50 (60)	2,2 (2,7) / 50 (60)	3,0 (50)
Work table stroke	mm	-	-	230
Sanding unit tilting	-	-	-	90°÷45°

# sanders operating groups



## Zero vibrations

### Structure.

Excellent stability and high precision machining without vibrations, for a top-level finished product, with the heavy duty structures.

## Perfect sanding on shaped work pieces...

### Supplementary table.

A machine even more flexible, with the supplementary table complete with rubber rollers, ideal for sanding shaped work pieces. The table can be quickly installed and removed.

*formula u 150*





## No limits to sanding

Possibility to compose the machine with functional devices such as the sanding belt unit and the pneumatic roller to sand shapes and holes.

*formula dg 60*



## ...and on profiles

### **Work table.**

The worktable can be tilted 45° guaranteeing a precise sanding also of tilted profiles.

*formula u 150/dg 60*

# vacuum dust extractors

## formula vf 300

## formula vf 250

### Constant effectiveness

The top-of-the-range models (vf 250 and vf 300) are equipped with a inlet pre-chamber, thanks to this only the thin chips comes into contact with the sleeve filters while the larger chips are decanted and fall directly into the baskets. A simple but extremely effective solution.



formula		vf 300	vf 250
Nominal air flow	m <sup>3</sup> /h	6000	4000
Nominal pressure	Pa	2800	2800
Exhaust outlets diameter	mm	300	250
Filtering surface	m <sup>2</sup>	30	20
Antistatic filter	-	SI	SI
Filter cleaning	-	Automatic	Automatic
Storage volume	l	3 x 300	2 x 300
Dimensions (LxDxH)	mm	3225/ 1150/ 2440	2525/1150/ 2440
Three-phase motor	kW	7,5	5,5

# vacuum dust extractors

**formula vf 200**  
**formula vf 160**  
**formula vf 140**  
**formula vf 125**

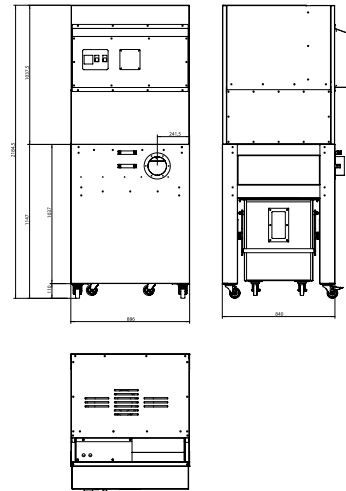
The vf series of the vacuum dust extractors are specially designed to work inside the workshop guaranteeing a **level of dust emissions lower than 0,1 mg/m<sup>3</sup>**. Thanks to their slim design and the possibility to connect multiple machines, they can completely replace the traditional suction system.



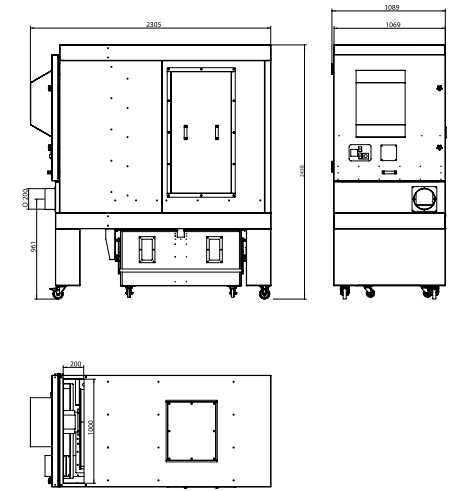
formula		vf 200	vf 160	vf 140	vf 125
Nominal air flow	m <sup>3</sup> /h	2262	1448	1108	856
Nominal pressure	Pa	2350	2350	2200	2350
Exhaust outlets diameter	mm	200	160	140	125
Filtering surface	m <sup>2</sup>	13	10	10	5
Antistatic filter	-	SI	SI	SI	SI
Filter cleaning	-	Electric	Electric	Manual	Manual
Storage volume	l	2 x 238	2 x 238	238	238
Dimensions (LxDxH)	mm	2000/ 1150/ 2440	2000/ 1150/ 2440	1250/ 850/ 1800	1250/ 850/ 1800
Three-phase motor	kW	4	3	2,2	2,2

# vacuum dust extractors

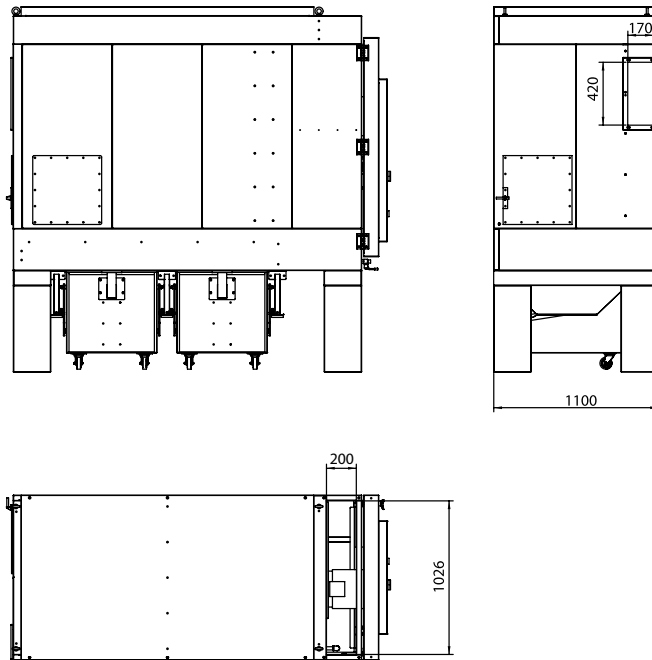
**vf 125/140**



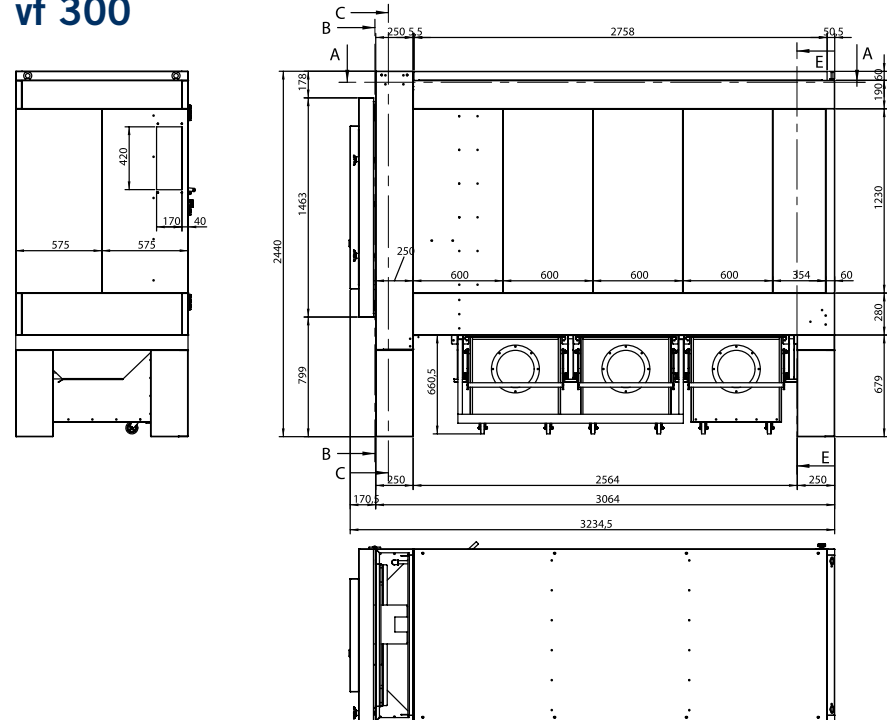
**vf 160/200**



**vf 250**



**vf 300**





# vacuum dust extractors operating groups

## Absolute performance

The vf 125 and vf 140 dust extractors are equipped with a **cartridge filter** to reduce the overall dimensions of the machine, while starting from the vf 160 model scm uses **sleeve filters** for maximum filtering and clearing.

*cartridge filter*



*sleeve filter*



## Risk preventing

The fan is positioned at the end of the filter, far away from the high risk of explosion zone.



## Practicality at first place

All dust extractors within the vf series comes with one or more baskets to collect the sawdust. They are very easy to move thanks to the wheels.

dust extractors  
with bag

**formula eco 350q**  
**formula eco 350t**  
**formula eco 300d**  
**formula eco 300k**  
**formula eco 300sk**



formula		eco 350q	eco 350t	eco 300d	eco 300s	eco 300sk
Bags		4	3	2	1	1
Maximum fan air flow capacity	m <sup>3</sup> /h	4560	4560	3900	2550	2550
Fan diameter	mm	356	356	305	300	300
Exhaust outlet attachments		4	4	3	2	2
Exhaust outlets diameter	mm	100	100	100	100	100
Bags diameter	mm	1850	1850	1300	900	900
Bags capacity	m <sup>3</sup>	0,79	0,59	0,43	0,15	0,15
Motor power	kW (Hz)	5 kW (50)	3,7 (50)	2,2 (50)	1,5 (50)	1,5 (50)



# feeders

## formula feed 48

formula feed 48 feeder with 4 rollers complete with stand

## formula feed 38

formula feed 38 feeder with 3 rollers complete with stand



formula		feed 48	feed 38
Rollers number		4	3
Feed speed	m/min	2/4/5,5/7/11/13/16,5/33	2/4/5,5/7/11/13/16,5/33
Rollers diameter	mm	120	120
Rollers stroke	mm	18	18
Motor power	kW (Hz)	0,75 (50)	0,75 (50)

clamp  
**formula**  
clamp 2500



formula		clamp 2500
Working dimensions	mm	2500 x 1800
Stroke of vertical hydraulic cylinders	mm	150
Thrust of each vertical hydraulic cylinders	kg	1270
Stroke of horizontal hydraulic cylinders	mm	120
Thrust of each horizontal hydraulic cylinder	kg	770

# clamp operating groups



## Ease-of-use

### Hydraulic cylinders.

The simple and rapid vertical beams positioning system allows a very simple hydraulic cylinders adjustment.



## Solidity and sturdiness

### Lower cast iron supports.

Even more machine sturdiness with the lower cast iron supports.



## Pressure under control

### Control panel.

The hydraulic cylinders pressure is controlled by practical levers and a control panel which is equipped with a valve with reading monometer and a locking cock for the cylinders pressure maintaining. The process is always under control.

# THE STRONGEST WOOD TECHNOLOGIES ARE IN OUR DNA

## SCM. A HERITAGE OF SKILLS IN A UNIQUE BRAND

Over 65 years of success gives SCM the centre stage in woodworking technology. This heritage results from bringing together the best know-how in machining and systems for wood-based manufacturing. SCM is present all over the world, brought to you by the widest distribution network in the industry.

65 years history

3 main production sites in Italy

300.000 square metres of production space

17.000 machines manufactured per year

90% export

20 foreign branches

350 agents and dealers

500 support technicians

500 registered patents

In SCM's DNA also strength and solidity of a great Group. The SCM Group is a world leader, manufacturing industrial equipment and components for machining the widest range of materials.

## SCM GROUP, A HIGHLY SKILLED TEAM EXPERT IN INDUSTRIAL MACHINES AND COMPONENTS

### INDUSTRIAL MACHINERY

Stand-alone machines, integrated systems and services dedicated to processing a wide range of materials.



WOODWORKING TECHNOLOGIES



TECHNOLOGIES FOR PROCESSING COMPOSITE MATERIALS, ALUMINIUM, PLASTIC, GLASS, STONE, METAL

### INDUSTRIAL COMPONENTS

Technological components for the Group's machines and systems, for those of third-parties and the machinery industry.



SPINDLES AND TECHNOLOGICAL COMPONENTS



ELECTRIC PANELS



METALWORK



CAST IRON



# PROMPT AND EXPERT TECHNICAL SUPPORT THROUGH A NETWORK OF 1000 TECHNICIANS AND AN INVENTORY OF 36,000 SPARE PARTS.

HIGHLY SPECIALISED TECHNICIANS, EFFICIENT MANAGEMENT AND 6 SPARE PARTS BRANCHES AROUND THE WORLD GUARANTEE A CLOSE, SAFE AND EFFECTIVE TECHNICAL SUPPORT.

## SERVICE

SCM provides a service that goes beyond the purchase, to guarantee the long term performance of your technological production system and peace of mind for your business.

### A COMPLETE RANGE OF AFTER-SALES SERVICES

- installation and start-up of machines, cells, lines and systems
- tailored training programs
- telephone support to reduce times and costs when machines are not working
- preventive maintenance programs to guarantee long term performance
- complete renovation of machines and plants to renew the added value of the investments
- custom upgrading to update machines and plants and meet new production requirements



## SPARE PARTS

SCM Group can count on 140 spare parts professionals worldwide to meet any request with real time shipments.



### 36,000 SPARE PARTS

Our spare parts inventory, with a value of 12 million euros, covers every single machine



### SPARE PARTS GUARANTEED

We guarantee also hard to find parts, with 3,5 million euros invested in "critical" spare parts.



### IMMEDIATE AVAILABILITY

Over 90% of orders received are carried out the same day thanks to the huge inventory available.



### 6 BRANCHES AROUND THE WORLD

The spare parts service can count on worldwide support (Rimini, Singapore, Shenzhen, Moscow, Atlanta, São Bento do Sul)



### 500 SHIPMENTS A DAY



The motors powers in this catalogue are expressed in S6, except where otherwise specified. In this catalogue, machines are shown in CE configuration and with options. We reserve the right to modify technical specifications without prior notice, provided that such modifications do not affect safety as per CE norms.

rev.00  
05/2018



HOUTBEWERKINGSMACHINES

AFZUIGINSTALLATIES

GEREEDSCHAPPEN



TEL. (0515) 43 15 70 - [www.rando.nl](http://www.rando.nl) - SNEEK

ONDERHOUD - REPARATIE - REVISIE

HOUTBEWERKINGSMACHINES

AFZUIGINSTALLATIES

GEREEDSCHAPPEN



TEL. (0515) 43 15 70 - [www.rando.nl](http://www.rando.nl) - SNEEK

ONDERHOUD - REPARATIE - REVISIE



**SCM GROUP SPA**

via Casale 450 - 47826 Villa Verucchio, Rimini - Italy  
tel. +39 0541 674111 - fax +39 0541 674274  
scm@scmgroup.com  
www.scmwood.com

HOUTBEWERKINGSMACHINES

AFZUIGINSTALLATIES

GEREEDSCHAPPEN

TEL. (0515) 43 15 70 - [www.rando.nl](http://www.rando.nl) - SNEEK

ONDERHOUD - REPARATIE - REVISIE



00L0447538C