

HOUTBEWERKINGSMACHINES

AFZUIGINSTALLATIES

GEREEDSCHAPPEN



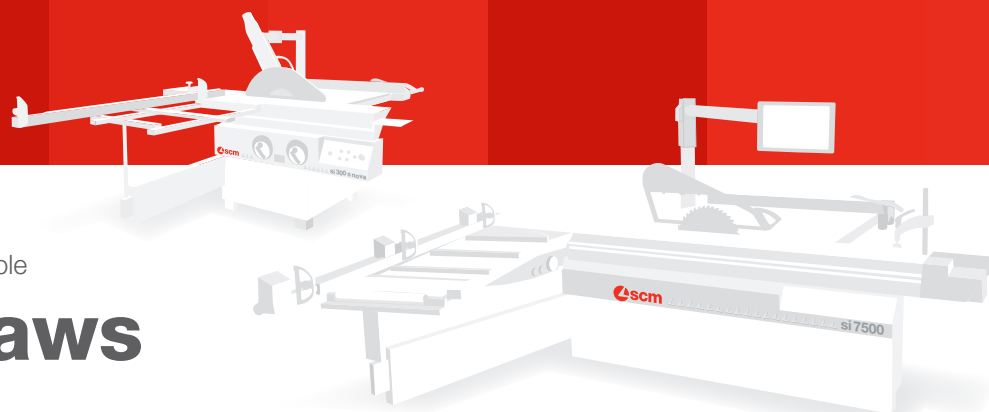
TEL. (0515) 43 15 70 - www.rando.nl - SNEEK

ONDERHOUD - REPARATIE - REVISIE



manual, electronically programmable

circular saws



scmcircular saws

The widest range of circular saws offering the market the latest and advanced technological solutions that different types of production urgently requires.

L'invincibile

L'invincibile

the exclusive choice for your success.

electronically programmable circular saw

si 7500

class

the best solution for every application.

electronically programmable circular saws

si 550 ep

si 400 ep

si 350 ep

manual circular saws

si 400

si 350

si 300

nova

guaranteed quality at your fingertips.

electronically programmable circular saw

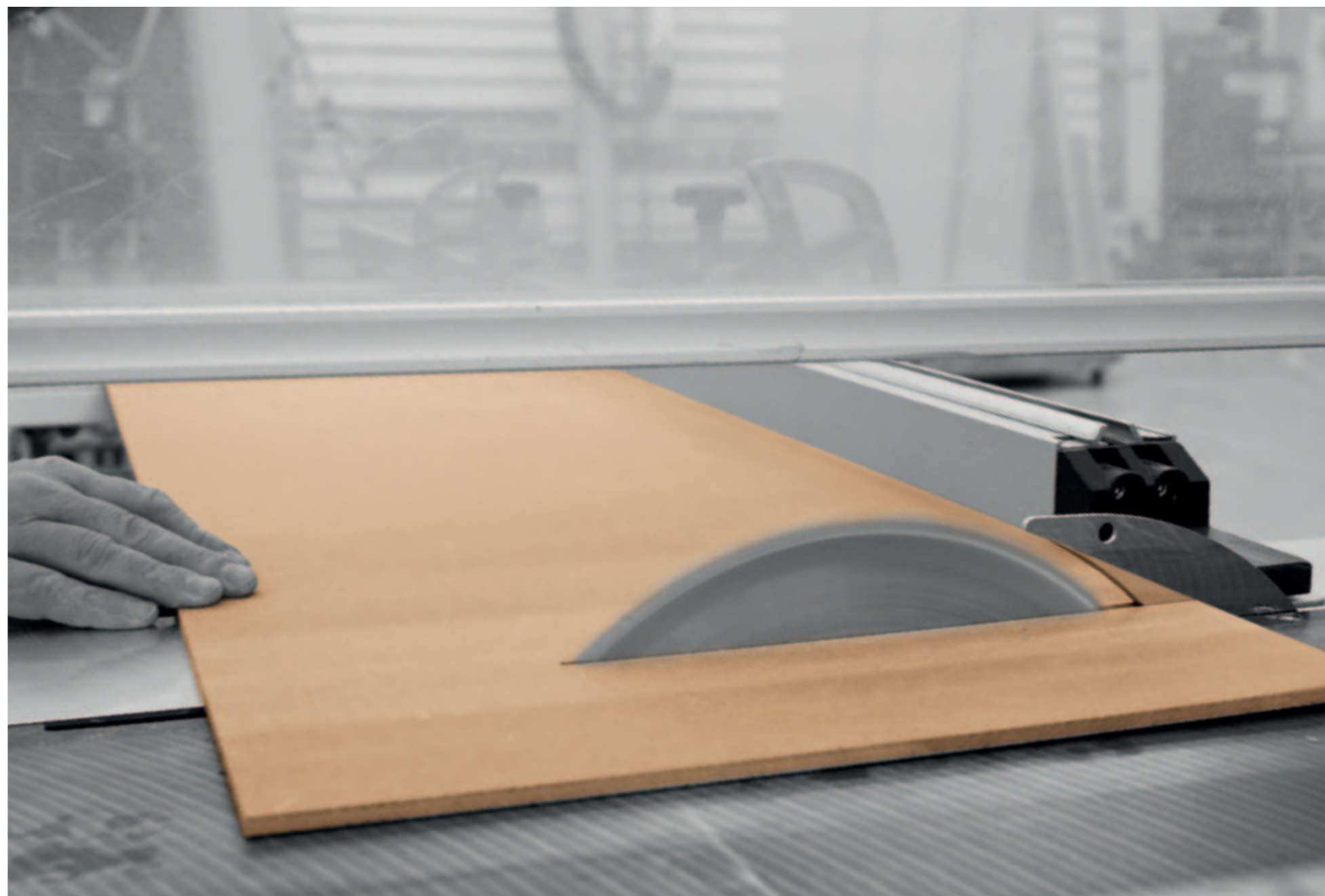
si 400 ep

manual circular saws

si 400

si 300

si 300 s



class

nova

SI 7500 L'INVINCIBILE
page 04



SI 550 EP CLASS
page 05



SI 400 EP CLASS
page 05



SI 350 EP CLASS
page 07



SI 400 CLASS
page 14



SI 350 CLASS
page 15



SI 300 CLASS
page 16



SI 400 EP NOVA
page 06



SI 400 NOVA
page 15



SI 300 NOVA
page 17



SI 300 S NOVA
page 17



electronically programmable circular saws

Superior technology combined with an ease of use.

Three different electronic levels:

- **INVINCIBLE:** the advantage from day one.
- **EASY:** the operating advantage.
- **READY:** the practical advantage.



CIRCULAR SAWS		L'INVINCIBLE	CLASS	
		SI 7500	SI 550	SI 400
squaring capacity	mm	3200 x 3200	3200 x 3200	3200 x 3200
cutting width on rip fence	mm	1500	1270	1270
max. main blade diameter	mm	550	550	400
max. scoring blade diameter	mm	120	120	120
cutting height at 90°/45°	mm	200/130	200/130	140/97
main blade motor power	kW	9	7	7
scoring blade motor power	kW	0,9	0,9	0,9
main blade speed	rpm	2500 - 3500 - 5000	2500 - 3500 - 5000	3000 - 4000 - 5000
scoring blade speed	rpm	8500	8500	8500
exhaust outlet diameter at the base	mm	120	120	120
exhaust outlet diameter on overhead protection	mm	100	100	100
extraction air flow rate to 20 m/sec	m³/h	1379	1379	1379
net weight basic machine	kg	1350	1200	1150

electronically programmable circular saws

Superior technology combined with an ease of use.



CIRCULAR SAWS		L'INVINCIBILE CLASS		NOVA		
		SI 7500	SI 550	SI 400	SI 350	SI 400
squaring capacity	mm	3200 x 3200	3200 x 3200	3200 x 3200	3200 x 3200	3200 x 3200
cutting width on rip fence	mm	1500	1270	1270	1270	1270
max. main blade diameter	mm	550	550	400	350	400
max. scoring blade diameter	mm	120	120	120	120	120
cutting height at 90°/45°	mm	200/130	200/130	140/97	118/81	140/97
main blade motor power	kW	9	7	7	7	7
scoring blade motor power	kW	0,9	0,9	0,9	0,9	0,9
main blade speed	rpm	2500 - 3500 - 5000	2500 - 3500 - 5000	3000 - 4000 - 5000	4000	3000 - 4000 - 5000
scoring blade speed	rpm	8500	8500	8500	8500	8500
exhaust outlet diameter at the base	mm	120	120	120	120	120
exhaust outlet diameter on overhead protection	mm	100	100	100	100	80
extraction air flow rate to 20 m/sec	m³/h	1379	1379	1379	1379	1176
net weight basic machine	kg	1350	1200	1150	1070	730

electronically programmable circular saws

Electronic controls.

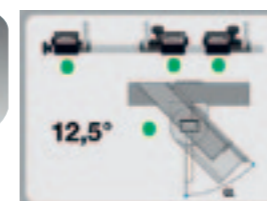


INVINCIBLE: THE ADVANTAGE FROM DAY ONE THAT GUIDES YOU EVERYWHERE.

The satisfaction of **fast and easy-to-use control of all machine functions** with the 12" large flat touch-screen colour display. The system guides the operator every step of the way offering suggestions that **avoid the operator making any mistakes**. Information windows instruct the operator as to what to do on the next operation ensuring the operator works in **complete safety**.
L'invincibile



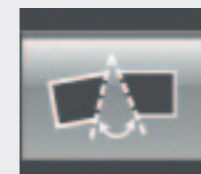
OPERATOR HELP:
any type of cutting becomes easier.



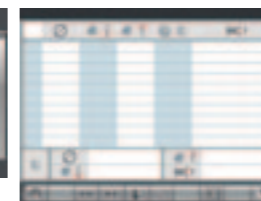
WIRELESS:
real dimensions every time.

EASY: THE OPERATING ADVANTAGE FOR EASY ASSISTANCE.

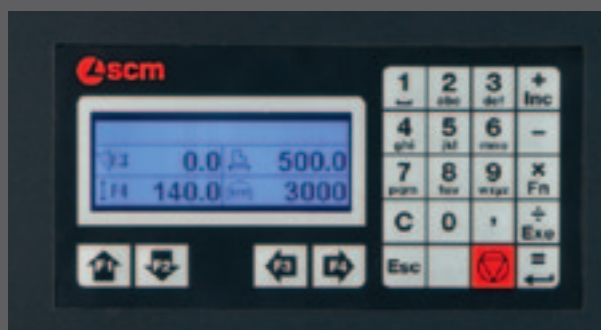
Maximum reliability due to the function pushbuttons and **easy-to-use** with the electronic control of up to 5 axes with the 7" LCD display, 16:9 format. **Integrated and fast control of all dedicated functions**. These features translate into immediate improvements in productivity and guarantees the capability of the full potential of the machine.
class



COMPLICATED SHAPES:
an architect at your disposal.
L'invincibile



TOOL DATABASE:
reduced set-up times so the machine is always ready for a new operation.



READY: THE PRACTICAL ADVANTAGE FOR AUTOMATIC CONTROL OF THE MAIN POSITIONS.

The **programming** of the work becomes **simple and effective** with the electronic control with a 4" LCD colour screen.

- working mode: manual, semi-automatic and automatic with a memory capacity of up to 99 programs
 - tool data setting with automatic height adjustment
 - calculator and hour counter.
- si 350 ep class, si 400 ep nova*



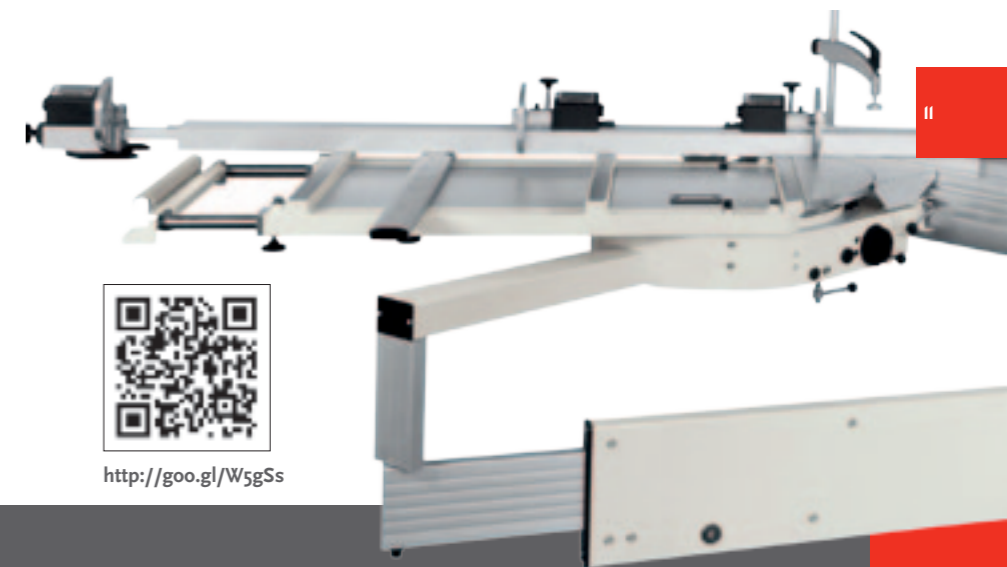
1. Saw unit lifting.
2. Saw unit tilting.
3. Programmed rip fence (option).
4. Blade speed readout.

electronically programmable circular saws

Devices and options.



<http://goo.gl/APTAA>



<http://goo.gl/W5gSs>



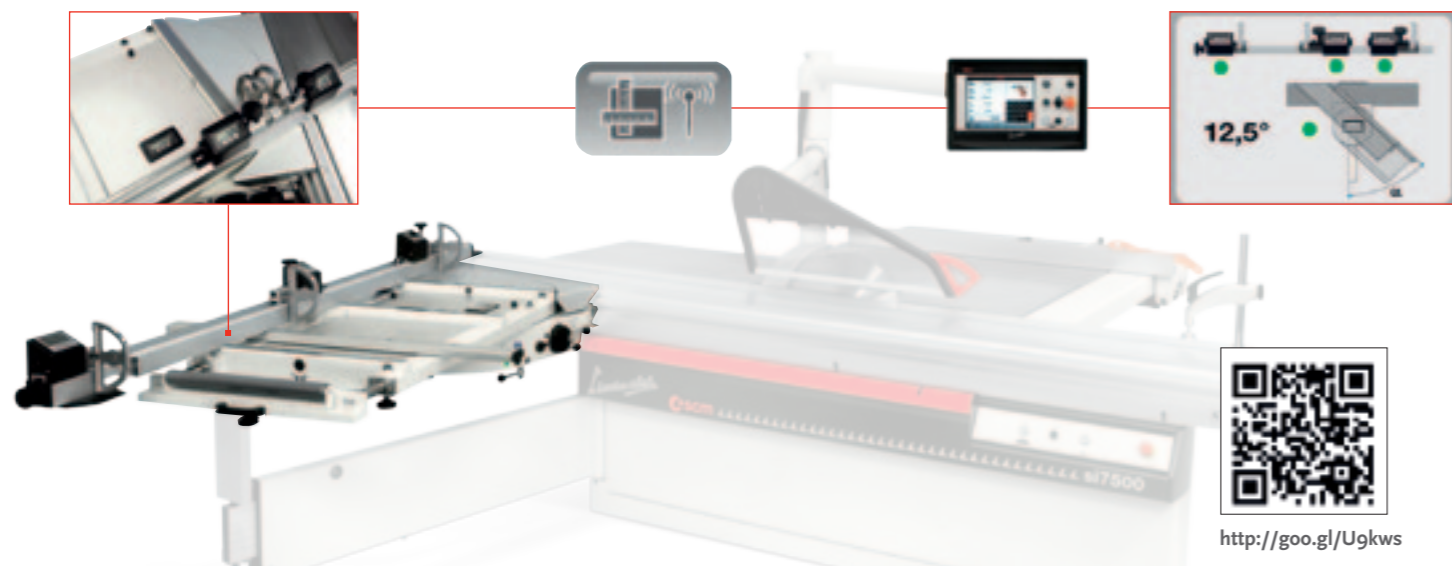
OPERATOR'S SUPPORT: ONE CUT ONLY, THE CORRECT ONE.

The large display suggests to the operator information for the correct use of any cutting configuration. In particular it displays in real time (Scm patent) the correct position of the stop on the basis of the known measurements of the work piece.



toptech FULL SUPPORT: USER FRIENDLY AND PRECISE MECHANICAL COMPONENTS.

It provides maximum support for the panel for both angled and tilted cuts. The Scm patented solutions consist of a single centre of rotation for maximum reliability over time and a robust design to support all angles (from +50° to -50°). The very strong structure and the precise mechanical components guarantees perfect cuts.



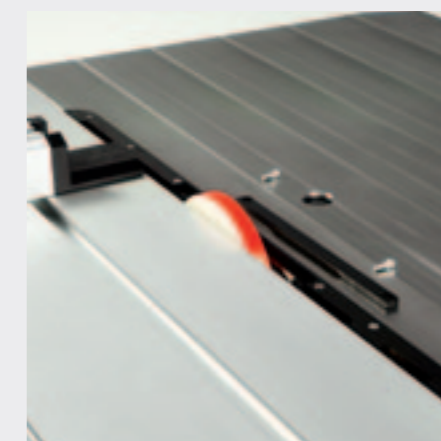
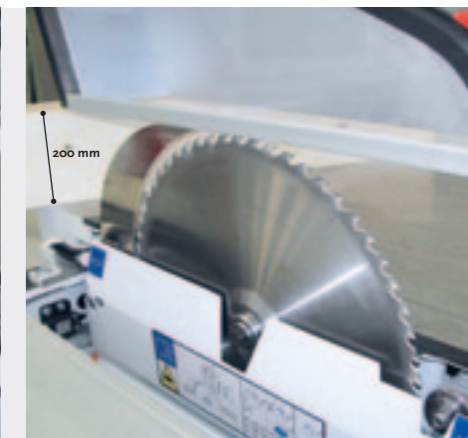
<http://goo.gl/Ugkws>

FLEXIBILITY TO THE TOP: AVAILABLE AS STANDARD.

Maximum cutting performance:

- 200 mm height with 550 mm blade diameter
 - 150 mm height with 450 mm blade diameter and a mounted scoring blade
- The wide vertical stroke of the unit allows the 450 mm blade to fully descend under the working table (Scm exclusive solution).

si 7500, si 550 ep class



"DADO MACHINING": ALSO FOR PARTICULAR WORKING.

High flexibility with the possibility of using a tool to replace the main blade:

- 200 mm maximum cutter diameter
 - 27 mm maximum projection
 - 20 mm maximum thickness
- option for si 7500, si 550 ep class*

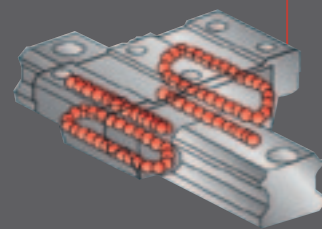
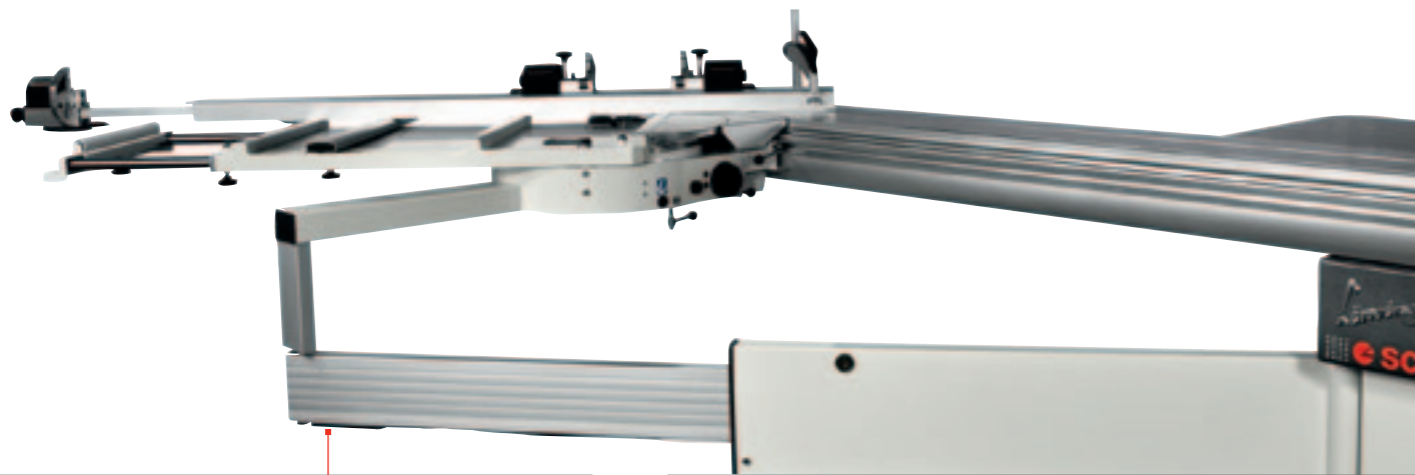
toptech

WIRELESS: WHEN TECHNOLOGY REALLY HELPS.

Electronic control with the integrated "wireless" system that updates in real-time the data for the positions of the three stops, always showing the actual size of the required work piece in any cutting configuration when varying the angle and/or the tilting of the blade.

electronically programmable circular saws

Devices and options.



toptech

TELESCOPIC SWINGING ARM: "INVINCIBLE" FLUIDITY OF MOVEMENT.

The work piece support frame is the only one to be made of a large dimensioned extrusion and linear guide on recirculating ball bearings. It ensures:

- maximum work piece with fluid movement
- no play and no noise
- dust protection
- no need for maintenance

L'invincible

CAST IRON WORKTABLES: ETERNITY IS AVAILABLE.

Maximum **stability** and **durability** over time are guaranteed by the large cast iron work tables (3 sqm) that allow easy and consistently accurate machining. All this is due to the **perfect flatness of the table** and the low irregularity of the ground surface.

L'invincible



SPEED AND PRECISION

ensured by the motorised programmable rip fence mounted on a recirculating ball screw mechanism with sliding on linear guides.

With "*Invincible*" and "*Easy*" electronic controls.

PRACTICALITY AND SAFETY

ensured by the motorised programmable rip fence with steel cable and sliding on sturdy round steel bar. Position readout on magnetic band. With "*Ready*" electronic control.



CIRCULAR SAWS	L'INVINCIBLE	CLASS		NOVA	
	SI 7500	SI 550	SI 400	SI 350	SI 400
5-axes "Invincible" electronic control with Touch-screen display	S	-	-	-	-
4-axes "Easy" electronic control	-	S	S	-	-
2-axes "Ready" electronic control	-	-	-	S	S
Mobile control panel	S	S	S	O	O
Independent powered scoring unit	S	S	S	S	S
Electronic adjustment for scoring unit	S	S	S	-	-
"Dado" machining	O	O	-	-	-
3200 mm saw carriage length	S	S	S	S	S
3800 mm saw carriage length	O	O	O	O	-
Powered rip fence on linear guide	S	O	O	-	-
Powered rip fence on round bar	-	-	-	O	O
Start/stop pushbuttons integrated in the carriage	S	O	O	O	-
"Quick Lock" squaring fence	S	S	O	O	-
Squaring fence with LCD readouts for the stops	S	O	O	O	O
"Full Support" mobile frame	O	O	O	-	-
"Wireless"	O	O	O	-	-
Parallelogram swivelling frame for angular cutting	O	O	O	O	-
Inverter for electronic speed change of the main blade	O	O	O	-	-
Pneumatic presser on entire carriage length	O	O	O	O	-
Second extension with sliding rail support	O	O	O	O	-
Fence for angular cutting	O	O	O	O	O
Fence for angular cutting with self-adjustment	O	O	O	O	O
Fence for parallel cutting on sliding carriage	O	O	O	O	O

manual circular saws

High construction quality for reliability and safe performance.



CIRCULAR SAWS		CLASS		
		SI 400	SI 350	NOVA SI 400
squaring capacity	mm	3200 x 3200	3200 x 3200	3200 x 3200
cutting width on rip fence	mm	1270	1270	1270
max. main blade diameter	mm	400	350	400
max. scoring blade diameter	mm	120	120	120
cutting height at 90°/45°	mm	140/97	118/81	140/97
main blade motor power	kW	7	7	7
scoring blade motor power	kW	0,9	0,9	0,9
main blade speed	rpm	3000 - 4000 - 5000	4000	3700
scoring blade speed	rpm	8500	8500	8500
exhaust outlet diameter at the base	mm	120	120	120
exhaust outlet diameter on overhead protection	mm	100	100	80
exhaust outlet diameter riving knife	mm	60	60	60
extraction air flow rate to 20 m/sec	m³/h	1379	1379	1176
net weight basic machine	kg	1070	1050	635

manual circular saws

High construction quality for reliability and safe performance.



CIRCULAR SAWS		CLASS		NOVA		CLASS		NOVA	
		SI 400	SI 350	SI 400	SI 300	SI 300	SI 300 S		
squaring capacity	mm	3200 x 3200	3200 x 3200	3200 x 3200	3200 x 3200	3200 x 3200	1600 x 2600		
cutting width on rip fence	mm	1270	1270	1270	1270	1270	1000		
max. main blade diameter (opt)	mm	400	350	400	315	315	315 (400)		
max. scoring blade diameter	mm	120	120	120	120	120	120		
cutting height at 90°/45° (opt)	mm	140/97	118/81	140/97	100/70	100/70	100/70 (140/97)		
main blade motor power	kW	7	7	7	5	5	5		
scoring blade motor power	kW	0,9	0,9	0,9	0,9	0,9	0,9		
main blade speed	rpm	3000 - 4000 - 5000	4000	3700	4000	4000	4000		
scoring blade speed	rpm	8500	8500	8500	8500	8500	8500		
exhaust outlet diameter at the base	mm	120	120	120	120	120	120		
exhaust outlet diameter on overhead protection	mm	100	100	80	100	80	80		
exhaust outlet diameter riving knife	mm	60	60	60	60	60	60		
extraction air flow rate to 20 m/sec	m³/h	1379	1379	1176	1379	1176	1176		
net weight basic machine	kg	1070	1050	635	1050	625	525		

manual circular saws

Devices and options.

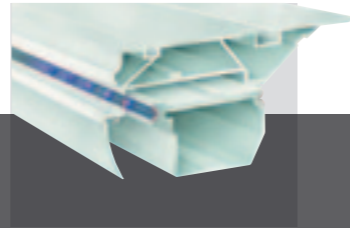


topotech

SLIDING CARRIAGE: MAXIMUM CUT QUALITY GUARANTEED OVER TIME.

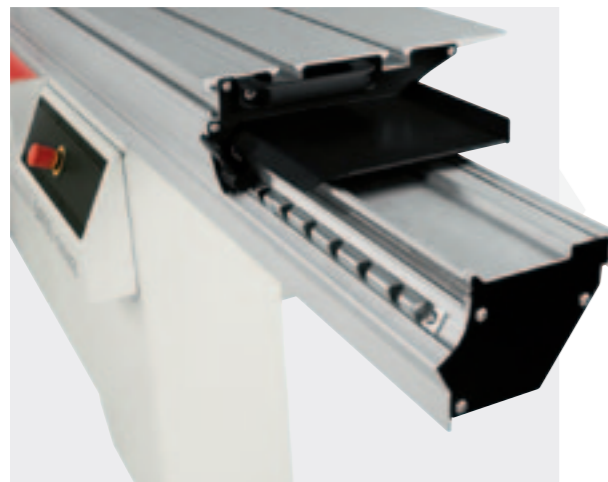
The carriage will never require adjustment due to its structure with arch-ground steel slideways (Scm exclusive and patented solution) so it can carry loads **four times higher than others**.

L'invincibile, class



"ARC" PROFILE: FOR EXCELLENCE IN MACHINING.

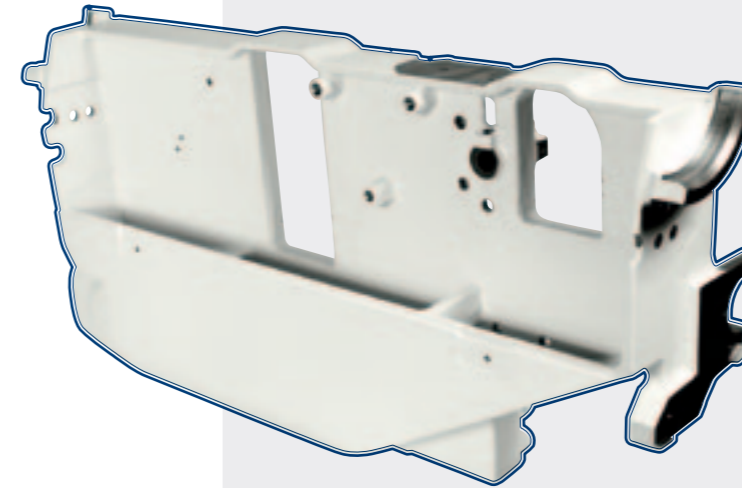
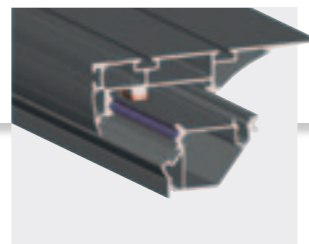
- no play and no need for adjustments over time
- higher loading capacity
- +/-0,05 mm tolerance on the entire carriage length for straight and high quality cutting. The horizontal positioning of the guides ensures **protection from dust** therefore improving the sliding of the carriage.



SLIDING CARRIAGE: SMOOTH SLIDING AND A SOLID WORK SURFACE.

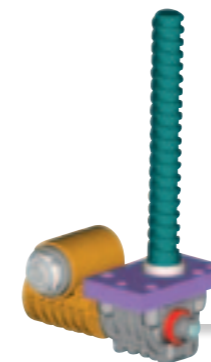
The wide section of the carriage, with closed reticular geometry, provides extreme rigidity and minimum deflection. A **smooth operating motion is guaranteed over time** by the system of sliding bearings running on hardened steel guides using an exclusive method of mechanical fixing.

nova



SAW UNIT: A PERFECT CUT.

Maximum torsional rigidity and the total absence of vibration through the closed loop structure of the saw unit which ensures **perfect alignment of the blades** during tilted and difficult cuts.



MANUAL MOVEMENTS:

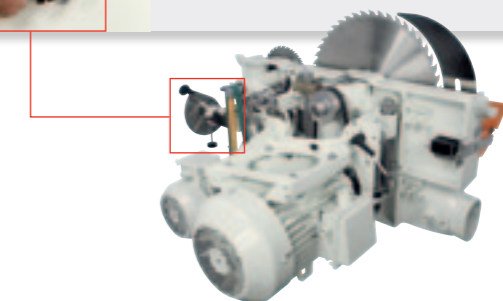
ALWAYS USER FRIENDLY AND PRECISE.

Ease of use in every day operation due to the dedicated gear box, fully protected from dust (Scm patented solution), that provides a **smooth and direct transmission**. Every minimum handwheel movement corresponds to a **precise blade adjustment**.



MANUAL ADJUSTMENT OF THE SCORING UNIT: SIMPLE AND EFFECTIVE.

Vertical and horizontal adjustments are carried out by user-friendly mechanical levers that operate directly making **precise and smooth movements**. The useful mechanical stops allows immediately finding of the set position. The positioning of the controls allows their use without moving from the front of the machine.



manual circular saws

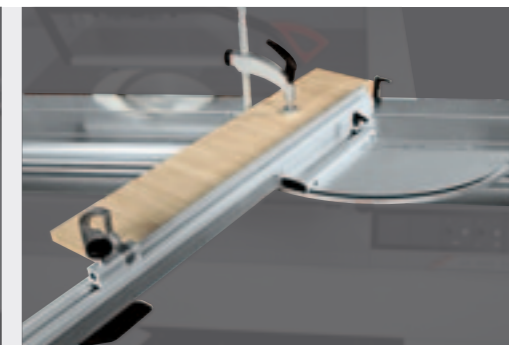
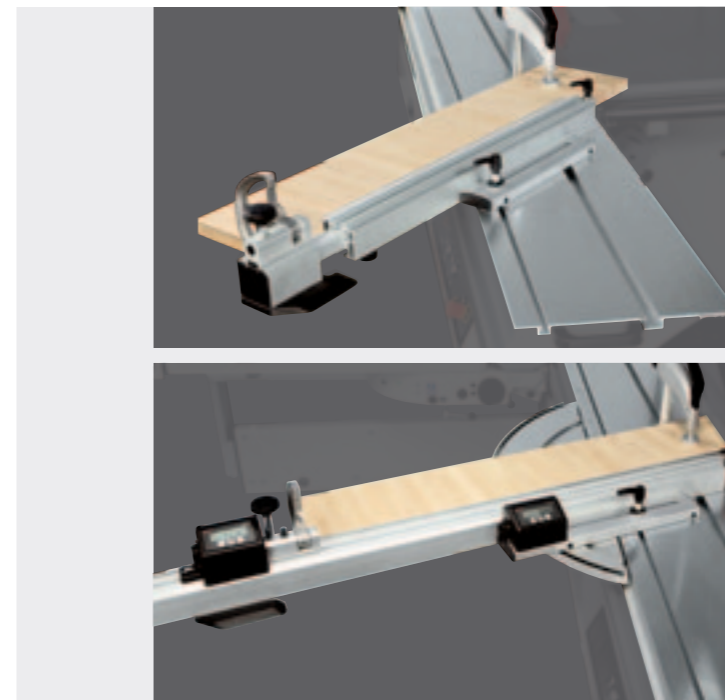
Devices and options.



SLIDING SWINGING ARM SUPPORT
by means of the exclusive aluminium extrusion for the very best smooth and precise operation. The adjusting dust scrapers ensure **high efficiency over time**.
L'invincibile, class

**PARALLELOGRAM FRAME:
THE IMMEDIATE CUT.**

The micrometric adjustment with LCD display allows rapid setting up to carry out very precise angular cuts.



Angular cutting device.
Different version also with electronic readouts to satisfy various requirements is available.

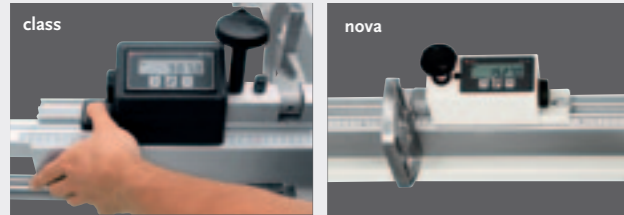
"QUICK LOCK" FENCE WITH RAPID RELEASE: SPEED AND PRECISION.

Minimum set-up time with the Scm exclusive system that allows rapid fence positioning. The extending roller and the stronger frame support maximise performance.

L'invincibile, class

manual circular saws

Devices and options.



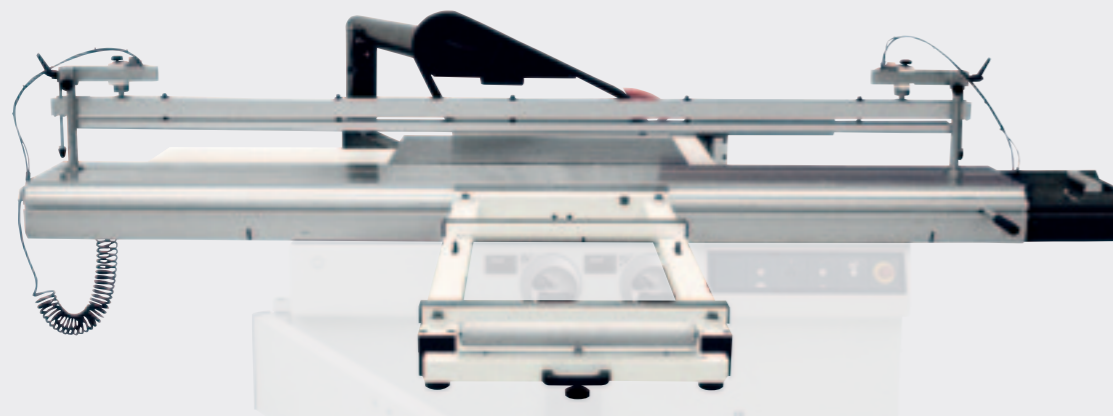
Electronic readouts: precise and easy to use.
The stops on the squaring fence can be easily read even from distance.



Pushbuttons integrated in the carriage: maximum practicality.
The possibility to start or stop the blades motors from the pushbuttons located at the ends of the carriage considerably helps when machining large dimensioned panels.



Rip fence unit.
The exclusive referencing system for the first trim cut allows the setting of trim quantity to be cut for every side without any test cuts. Available also with electronic readouts.

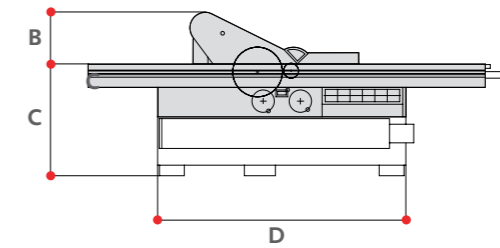
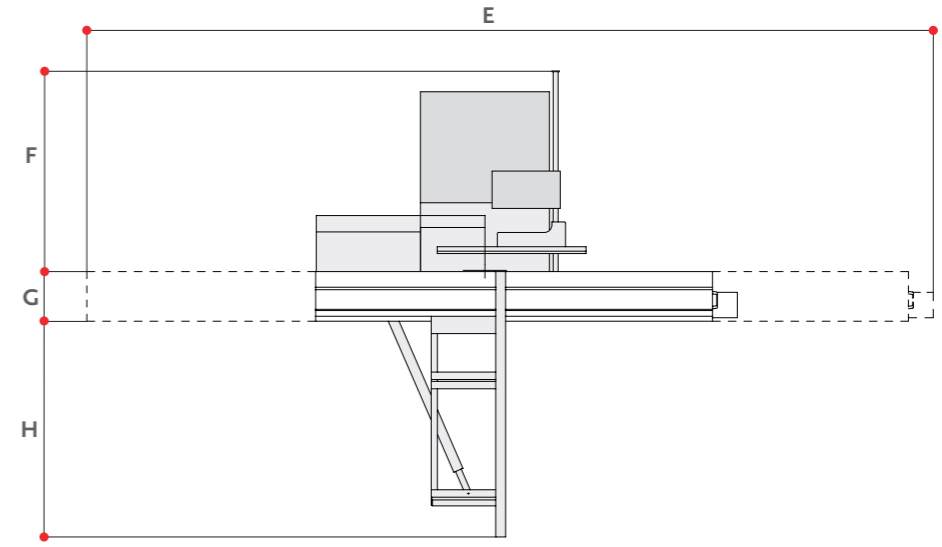
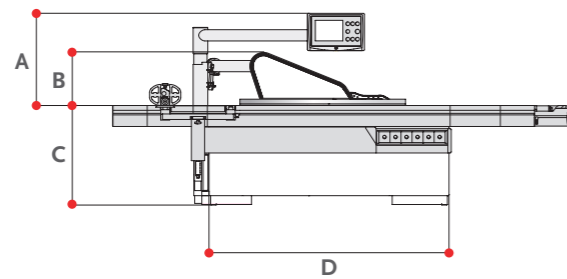
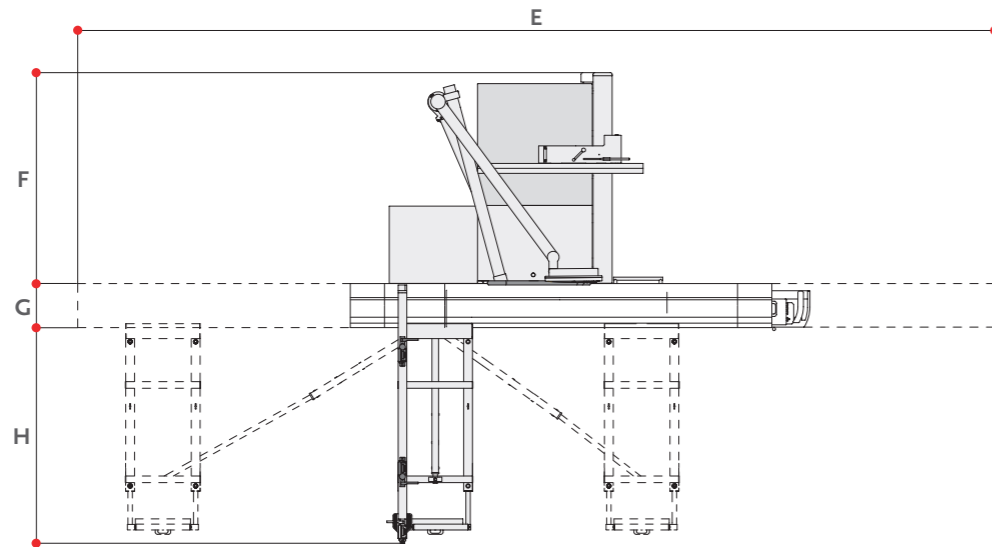


Pneumatic presser.
Particularly suitable for the cutting of thin materials.

CIRCULAR SAWS	CLASS			NOVA		
	SI 400	SI 350	SI300	SI 400	SI 300	SI 300 S
Manual saw blades lifting and tilting by means of front handwheels	S	S	S	S	S	S
Front mechanical digital readout for tilting	S	S	S	S	S	S
Front mechanical digital readout for cutting height	S	-	-	-	-	-
Independent power scoring unit	S	S	S	S	S	S
External manual adjustment of scoring unit	S	S	S	S	S	S
1600 mm saw carriage length	-	-	-	-	-	S
3200 mm saw carriage length	S	S	S	S	S	-
3800 mm saw carriage length	O	O	O	-	-	-
Start/stop pushbuttons integrated in the carriage	O	O	O	-	-	-
"Quick Lock" squaring fence	O	O	O	-	-	-
Squaring fence with LCD readouts on the stops	O	O	O	O	O	-
Parallelogram swivelling frame for angular cutting	O	O	O	-	-	-
Pneumatic presser on entire carriage length	O	O	O	-	-	-
Second extension with sliding rail support	O	O	O	-	-	-
Fence for angular cutting	O	O	O	O	O	O
Fence for angular cutting with self-adjustment	O	O	O	O	O	-
Fence for parallel cutting on sliding carriage	O	O	O	O	O	-
Electronic readout for rip fence position	O	O	O	O	O	-

circular saws

Overall dimensions.



ELECTRONICALLY PROGRAMMABLE CIRCULAR SAWS		L'INVINCIBILE CLASS				NOVA
		SI 7500	SI 550	SI 400	SI 350	SI 400
A	mm	900	900	900	900	720
B	mm	485	485	485	485	720
C	mm	910	910	910	910	900
D	mm	2175	2175	2000	2000	1800
E 3200 carriage	mm	7250	7250	7250	7250	7100
E 3800 optional carriage	mm	8500	8500	8500	8500	-
F 1000 fence	mm	-	1430	1430	1430	1360
F 1270 fence	mm	-	1750	1750	1750	1750
F 1500 fence	mm	1930	1910	1910	1910	2065
G	mm	400	400	400	400	360
H	mm	2300	2260	2260	2260	2200

MANUAL CIRCULAR SAWS		CLASS			NOVA		
		SI 400	SI 350	SI 300	SI 400	SI 300	SI 300 S
B	mm	485	485	485	700	700	700
C	mm	910	910	910	900	900	900
D	mm	2000	2000	2000	1800	1800	790
E 1600 carriage	mm	-	-	-	-	-	3760
E 3200 carriage	mm	7250	7250	7250	7100	7100	-
E 3800 optional carriage	mm	8500	8500	8500	-	-	-
F 1000 fence	mm	1430	1430	1430	1360	1360	1360
F 1270 fence	mm	1750	1750	1750	1750	1750	1750
F 1500 fence	mm	1910	1910	1910	2065	2065	2065
G	mm	400	400	400	360	360	360
H	mm	2260	2260	2260	2200	2200	1900

SINCERT



The technical data can vary according to the requested machine composition. In this catalogue, machines are shown with options. The company reserves the right to modify technical specifications without prior notice; the modifications do not influence the safety foreseen by the CE Norms. Motor power indicated in S6 - 40%.

scm
 minimax
 scm tecmatic

scm
 routech
 celaschi
 dmc
 superfici
 sergiani
 gabbiani
 morbidelli
 mahros
 stefani
 cpc
 sag
 scmgrou
 delmac
 scmfonderie
 steelmec
 hiteco
 es
 csr

CMS Cms
 wood technology

CMS Cms
 advanced materials technology

CMS Brembana
 stone technology

CMS Brembana
 glass technology

CMS CmsPlast
 plastic technology

CMS Tecnocut
 waterjet technology

CMS Balestrini

1 large integrated group
 18 production sites
 30 specialist brands
 21 foreign branches
 more than 50 years in business
 70% exports
 350 agents and distributors
 365 registered patents
 500 engineers
 3.000 square metres showroom
 10.000 classical and professional
 machines made per year
 240.000 square metres
 of production space



passion **technology** performance
www.scmgroup.com

scm  group



The best global partner that is very
 close to woodworking companies

 scm

scm  group

SCM GROUP SPA SCM

sale offices: via Casale, 450 - 47826 Villa Verucchio, Rimini - Italy

tel. +39 0541 674111 - fax +39 0541 674274 - scm@scmgroup.com - www.scmgroup.com



00L0076171D

HOUTBEWERKINGSMACHINES

AFZUIGINSTALLATIES

GEREEDSCHAPPEN



TEL. (0515) 43 15 70 - www.rando.nl - SNEEK

ONDERHOUD - REPARATIE - REVISIE

REV. N. 00 - 04.2012 - LIFEINPIXEL -  acanto